



PRODUCT CATALOG



ATABEY CONSTRUCTION EQUIPMENT



SCP Series

5 - 12



CP Series

13 - 18



B Series

19 - 28



BW Series

29 - 32



M Series

33 - 40



PS Series

41 - 44



ZF Series

45 - 48



BMP Series

49 - 52



Concrete is the main requirement for building new and modern cities, satellite cities, hydroelectric projects, bridges, tunnels, road and art constructions. A lot of equipment are used from the preparation of the concrete up to placing it to the final point and it is extremely important to find the best solution without disturbing the concrete.

Based on these requirements, as Atabey Construction Equipment, we produce the best solutions for pumping the concrete and placing it to the final point with our advance production technology and facilities, energetic production and operational team. By making the customer our number one priority after the sale we enjoy the highest repeated sales of any manufacturer of pumping equipment. Hard work, determination and a commitment to quality...

By offering ATABEY's leading-edge technology and reliable service, we have been striving to satisfy our customers with 15 years of experience. And it's these customers that we thank for allowing us to be a part of many successful and challenging projects. It is our goal to help you achieve increased productivity through reliable, efficient machines that demonstrate value to your business both today and tomorrow.





USA



Sirbia



Kolombia



Rusia



Kamchatka



Venezuela



Romania



Jordan



Costa Rica



CONCRETE PUMPS

with
HYDRAULIC BOOM

SCP

Series

SCP 25 3.21

SCP 40 3.21

SCP 50 3.21

SCP 60 3.21

SCP 40 3.24

SCP 50 3.24

SCP 60 3.24

SCP 80 3.24



Unique in the World!

ThyssenKrupp



The Scorpion concrete pump with hydraulic placing boom is often preferred for hydroelectric projects, bridges, tunnels, road and art constructions, industrial construction, depot-hangar constructions and dam projects. Generates maximum saving in time and money with the pumping feature that turns the maximum diesel power into hydraulic pressure.

One of the most important advantages of Scorpion is the efficient use of “boom reach”. Thanks to its **compact structure and 4x4 traction**, Scorpion can get closer to the construction site, therefore the entire boom length can be used for access.

Easily moved in construction sites by the remote control system and no need for crane to load to a truck for long distance transportation. Also all hydraulic system is controlled from the control panel when the remote control unit is not used.

The **4x4 propulsion system** is very useful when the terrain conditions are rough on sites and the unit needs to travel in narrow streets to get to the final concrete placing point.

Scorpion Series

General Features

Hydraulic Boom Unit:

The boom unit of Scorpion is made of high strength steel material. The boom construction as well as the outriggers and frame are well optimized for “weight-to-reach ratio” and shoe spacing.

User Friendly:

Scorpion concrete pump is designed to work smoothly on construction sites, not only in the cities, but also in distant yards. To support this idea, instead of “cost-saving” but complicated components, “simpler parts” are preferred with longer life and easier replacement procedures.

Unique Design:

The whole idea of “stationary concrete pump with 4 x 4 traction system” is most affordable and practical solution when the ready mix concrete system is at a distance from the job-site and the available ready-mixed concrete is costly.

The 4 x 4 traction system and relatively lighter operating weight makes it possible to get closer to the “target” concrete placing point. This feature provides more efficient use of the hydraulic placing boom. Another typical advantage of this system appears when the unit is coupled with a “4x4 traction self-loading mixer”. The traction system of a conventional truck-mounted concrete pump is not very convenient to rough terrains.

Remote Control:

The remote control system of Scorpion concrete pump has more functions than it has during conventional use of truck-mounted concrete pumps:

— The Traction Mode:

The system commands driving (forward/reverse) as well as steering functions.

— The Operation Mode:

The system commands concrete pump, and controls hydraulic movement as well as the slew motion of the placing boom.



Scorpion Series

General Features

Construction of 2-3 storey buildings, villas, concrete structures needed during road constructions, tunnels, dam constructions and irrigation projects, industrial constructions, depots warehouses are the typical examples where SCORPION pumps are most preferred.

The 4x4 traction system provides several additional advantages in rough terrain applications.

This also assures more efficient use of the hydraulic boom reach.

SCORPION's main hydraulic pump is equipped with torque limiter and variable flow control which uses the maximum engine power without losing necessary pumping pressure.

This, in turn provides most efficient fuel consumption for the pumping operation.

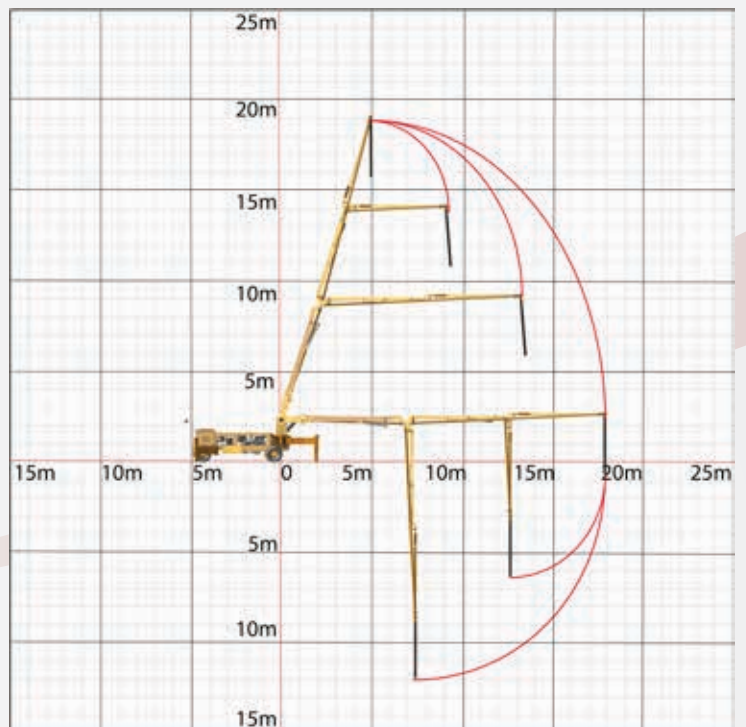
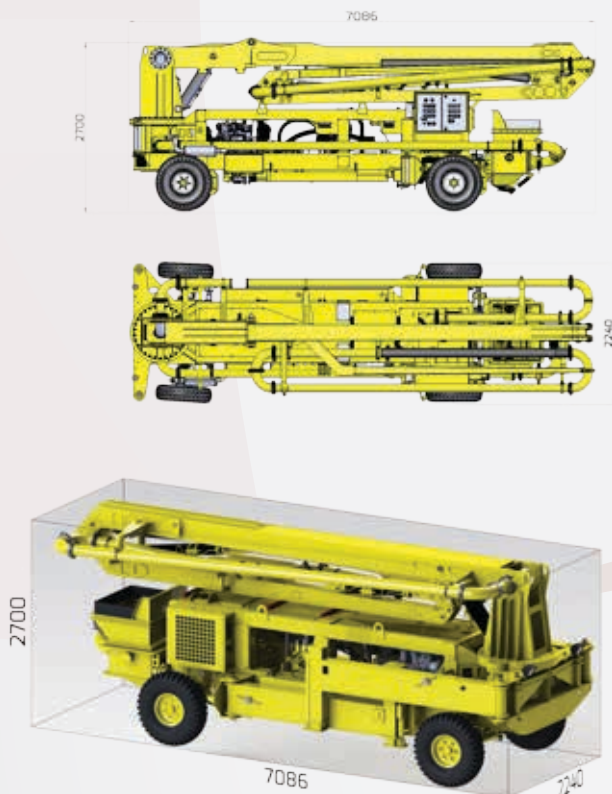


- Easy Maintenance Facility
- Automatic Braking System
- Automatic Central Lubrication System
- High Pressure Cleaning Pumps
- 3-Stage / 18m. Hydraulic Boom
- Integrated Trailer and Boom
- 4X4 Propulsion System
- Wireless Remote Control
- Turbo Diesel
- Kubota, Cummins and Perkins Engine Options
- Kawasaki Hydraulic Pump

Scorpion 3.21 Series

Technical Details

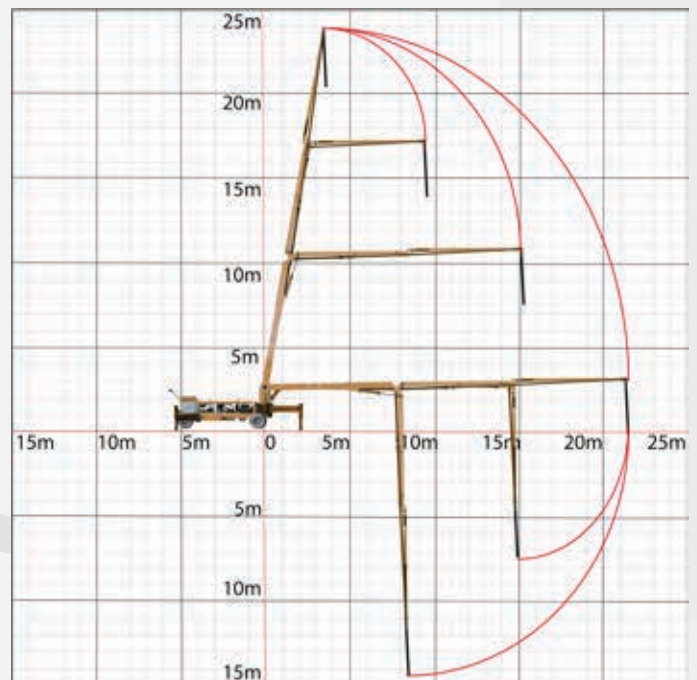
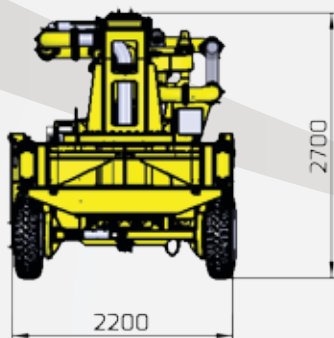
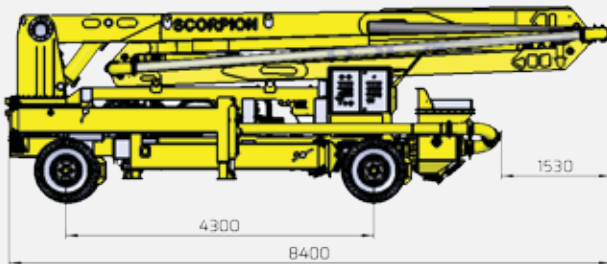
SCP 3.21						
Models	SCP 25.321 K	SCP 40.321 P	SCP 40.321 K	SCP 50.321 P	SCP 60.321 P	SCP 60.321 C
Concrete Output (m ³ /h)	26,1	36,1	41,8	48,6	58,4	58,7
Max. Concrete Pressure (bar)	74,1 bar					
ENGINE Brand	KUBOTA	PERKINS	KUBOTA	PERKINS	PERKINS	CUMMINS
ENGINE Type	Water Cooled 4 Cylinder Diesel	Water Cooled 4 Cylinder Diesel	Water Cooled 4 Cylinder Diesel	Water Cooled 4 Cylinder Diesel	Water Cooled 4 Cylinder Turbo Intercooler	Water Cooled 4 Cylinder Turbo Intercooler
ENGINE Power (kW/@rpm)	50 kW@2600 rpm	75 kW@2200 rpm	74 kW@2600 rpm	88 kW@2200 rpm	88 kW@2200 rpm	100 kW@2200 rpm
ENGINE (hp)	67 hp	100 hp	97 hp	118 hp	118 hp	134 hp
Boom Height (m)	20,7 m					
Distribution Diameter (m)	35,8 m					
Concrete Pipe Diameter (mm)	Ø 125					
1 st Boom Length (mm)	7,130 mm					
2 nd Boom Length (mm)	5,503 mm					
3 rd Boom Length (mm)	5,237 mm					
Boom Radius (mm)	17,870 mm					
End Hose Length (mm)	3,000 mm					
Boom Rotation Angle (°)	360°					
Concrete Piston Diameter (mm)	180 mm					
Stroke Length (mm)	900 mm	1100 mm	1100 mm	1100 mm	1100 mm	1100 mm
Number of Strokes (ROT/dk)	19,0	21,5	24,9	27,9	34,8	33,2
Hydraulic Pump (cc)	45 cc	80 cc	80 cc	112 cc	140 cc	140 cc
Max. Hydraulic Pressure (bar)	320 bar					
Hydraulic Oil Tank Capacity (lt)	280 lt					
Fuel Tank Capacity (lt)	110 lt					
Water Tank Capacity (lt)	110 lt					
Machine Weight (kg)	9.630 kg	9.870 kg	9.880 kg	9.980 kg	9.980 kg	9.985 kg



Scorpion 3.24 Series

Technical Details

SCP 3.24				
Models	SCP 40.324	SCP 50.324	SCP 60.324	SCP 80.324
Concrete Output (m ³ /h)	38-42	49-52	57-63	77-82
Max. Concrete Pressure (bar)	72-74 bar			
ENGINE Type	Water Cooled 4 Cylinder Diesel	Water Cooled 4 Cylinder Diesel	Water Cooled 4 Cylinder Diesel	Water Cooled 4 Cylinder Diesel
ENGINE Power (kw)	50-70 kw	70-92 kw	92-105 kw	135-165 kw
ENGINE (hp)	67-93 hp	93-120 hp	120-140 hp	180-220 hp
Boom Height (m)	23,8 m			
Distribution Diameter (m)	???			
Concrete Pipe Diameter (mm)	Ø 125			
1 st Boom Length (mm)	7,760 mm			
2 nd Boom Length (mm)	6,600 mm			
3 rd Boom Length (mm)	6,340 mm			
Boom Radius (mm)	21,800 mm			
End Hose Length (mm)	3,000 mm			
Boom Rotation Angle (°)	360°			
Concrete Piston Diameter (mm)	180 mm			
Hydraulic Pump (cc)	45 cc	80 cc	112 cc	140 cc
Max. Hydraulic Pressure (bar)	70 - 74 bar			
Hydraulic Oil Tank Capacity (lt)	210 lt			
Fuel Tank Capacity (lt)	110 lt			
Water Tank Capacity (lt)	110 lt			
Operating Weight (kg)	12,000 kg	12,200 kg	12,500 kg	12,900 kg













STATIONARY CONCRETE PUMPS

CP
Series
CP 25
CP 40
CP 50
CP 60
CP 80
CP 100
CP 25 Hp
CP 40 Hp
CP 50 Hp
CP 60 Hp



Stationary Concrete Pumps

ThyssenKrupp



All Atabey Concrete Pumps are designed by our own engineers. The diesel engines (Kubota-Perkins-Cummins) and the hydraulic pump (Japanese Kawasaki) with variable flow that we use for our concrete pumps are leading brands in the international market. The hydraulic pump with variable flow provides higher pressure when the concrete pipe line is blocked and returns back to normal pressure when the blockage is opened. With the **Central Greasing System**, the equipment can be greased up regularly by the operator. And also with option of **Automatic Greasing System**, the equipment is greased constantly by the automatic system and this solves the problem of equipment not getting greased up regularly.

This dramatically reduces the time and money loss, caused by operator error. The wear parts used on our equipment are all simple and easily obtainable in the international markets.

Nowadays, multi-function processors are available and they are beginning to be used in construction machinery. But Atabey Construction Equipment does not change the simple ways of using the equipment and stays as “User Friendly Equipment”.

CP Series

General Features



Electro hydraulic control elements are designed and installed for easy access and replacement when necessary to change the parts. Also all the electrical parts are easily accessible by opening the control panel lids. Users continue their work quickly on simple faults by changing the necessary part easier rather than changing the integrated unit.



Economical Solution For;

- Hire-rise Buildings
- Long Distance Constructions
- Tunnel Constructions
- Routes

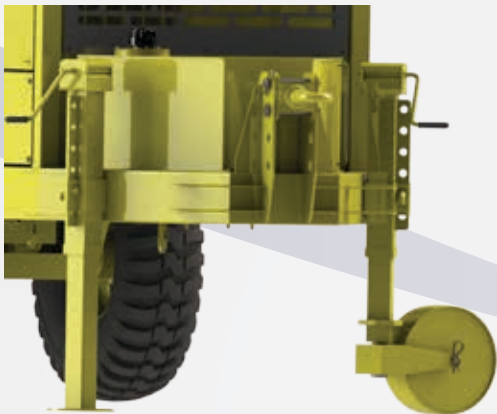
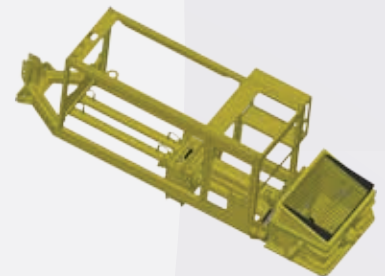
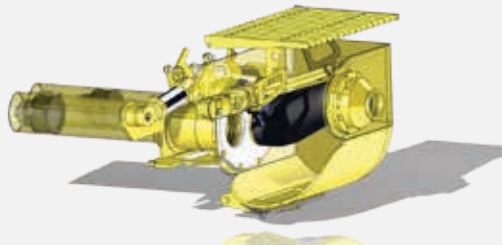


CP Series

Technical Details

		CP									
Models		CP 25	CP 25 HP	CP 40	CP 40 HP	CP 50	CP 50 HP	CP 60	CP 60 HP	CP 80	CP 100
Engine Power Range	kw	50-70	70-92	70-92	92-105	92-105	97-120	97-120	210	200	230
	hp	67-93	93-120	93-120	120-140	120-140	130-160	160-230	280	267	305
Concrete Output Rod Side (m ³ /h)	rated	25,5	25,9	41,2	42,7	51,5	50,3	60,6	58,7	79,8	100,3
	at max. pressure	18-21	15-17	31-33	22-28	32-36	31,0	44,0	39,3	63,8	80,2
Concrete Output Piston Side (m ³ /h)	rated	17,9	18,3	28,9	30,2	36,2	35,5	41,5	41,2	56,4	65,5
	at max. pressure	12-14	11-14	22-23	18-20	26-29	23	31	22	44	49
Concrete Cyl. Diameter	mm	180	180	180	180	180	200	200	200	200	200
Concrete Output Rod Side (bar)	rated	74	94	74	94	73	94	71	80	71	70
	max.	93	128	93	128	91	128	89	109	89	88
Concrete Output Piston Side (bar)	rated	112	124	112	124	112	124	108	109	108	118
	max.	140	169	140	169	140	169	135	148	135	148
Available Engine Brands		Cummins	Cummins	Cummins	Cummins	Cummins	Cummins	Cummins	Cummins	Cummins	Cummins
		Perkins	Perkins	Perkins	Perkins	Perkins					
		Yavuz	Yavuz	Yavuz	Yavuz	Yavuz					
		Kubota	Kubota	Kubota							

!!! S-valve System: Integrated with robust frame and twin boxer cylinders.



Twin mechanical jacks to provide both; steerable towing and standing safely



Twin mechanical jacks to provide both; steerable toing and standing safely bottom discharge plate with hydraulically actuated cylinder for easier cleaning and maintenance

CP Series

Technical Details



- Managed Components!
- Provides Easy Maintenance And Cleaning
- Easy To Use!

Simple, straightforward control panel



- Operator Friendly Control Panel
- Easy and Functional Control
- Remote Control Option Available



- Powerful Concrete Flow
- Stable Hydraulic Oil Pressure
- Variable Flow Hydraulic Pump With Power Regulator And Torque Limiter







CONCRETE DISTRIBUTORS

with
HYDRAULIC BOOM

B

Series
B 212+3
B 312+3
B 15+3
B 17+3
B 18+3
B 21+3



Ultra Light!

ThyssenKrupp



ULTRA LIGHT design hydraulic placing booms are made of **High Strength Steel** which provides long life, light weight and practical use. Distribution area / weight – feet clearance rates are unbeatable. Optimization in the design is to maximize the practicability. Therefore the users describe the equipment as “job-site friendly equipment”.

TWIN DRIVE enables users to alter the power source. In case of electric cut-off, concrete placing can continue without interruptions and short term works can be finished practically. Cost, time and performance gain is achieved at serious levels in construction sites.

BOOM CONSTRUCTION

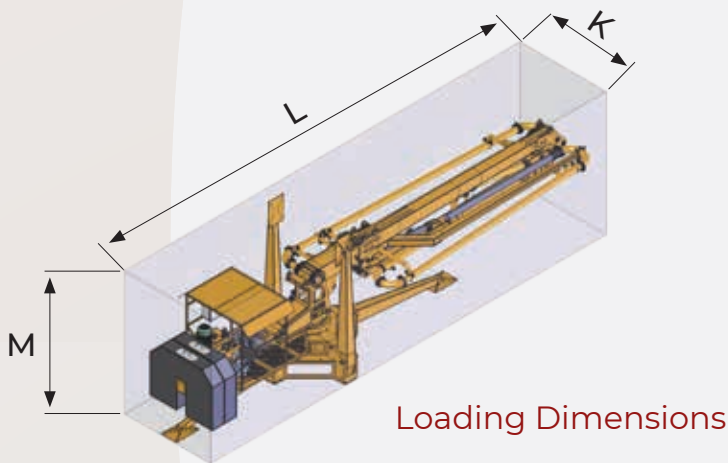
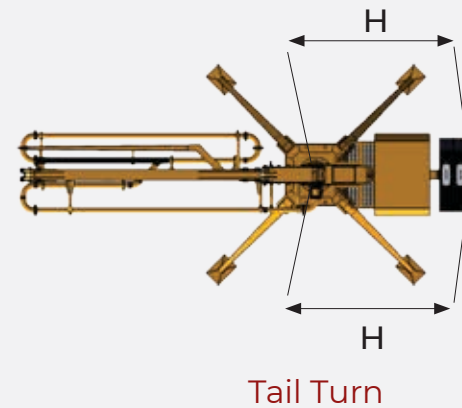
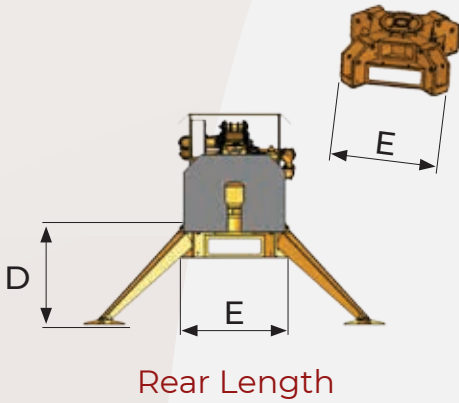
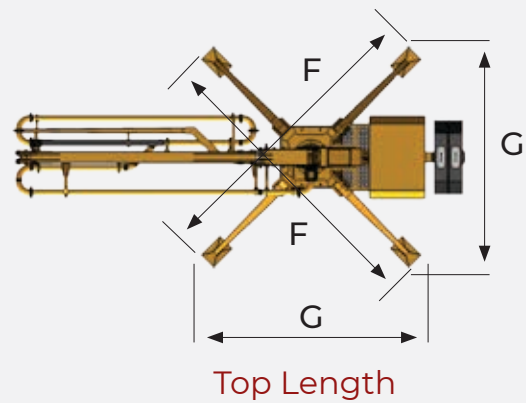
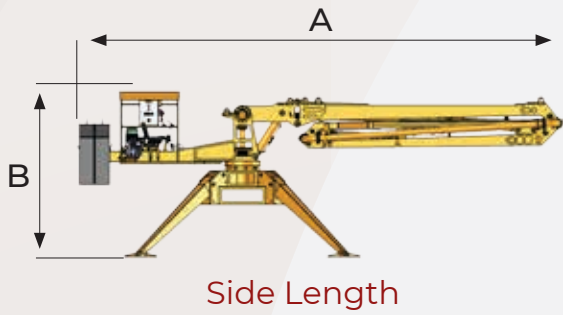
Produced from special quality steel with high strength, flexibility and suitability for welding. It is light, strong and long durability...

SPLIT FRAME (Detachable Boom Unit)

Simplified split system makes it possible to detach the boom unit easily. When the crane capacity is limited the detachable boom and chassis can be lifted and moved separately.

B 212, B 312, B 15, B 17, B 18

Overall Dimensions

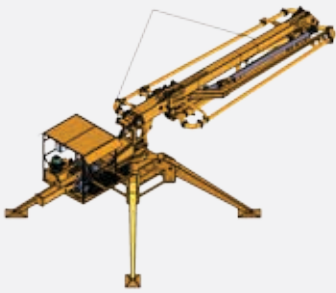


!!! Widely used in high-rise building constructions for casting concrete on wide deck buildings and especially in columns and walls.

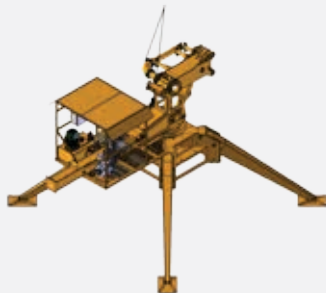
Models	B 212	B 312	B 15	B 17	B 18
A	9774 mm	8016 mm	9365 mm	10130 mm	10760 mm
B	2958 mm	2958 mm	3289 mm	3428 mm	3428 mm
C	1878 mm	1878 mm	2359 mm	2346 mm	2346 mm
D	1613 mm	1613 mm	1750 mm	1500 mm	1500 mm
E	1455 mm	1455 mm	1684 mm	1793 mm	1793 mm
F	5187 mm	5187 mm	6142 mm	6590 mm	6590 mm
G	3859 mm	3859 mm	4616 mm	4908 mm	4908 mm
H	3284 mm	3273 mm	3398 mm	3499 mm	3598 mm
K	2000 mm	2050 mm	2000 mm	2050 mm	2050 mm
L	9900 mm	8100 mm	9450 mm	10250 mm	10900 mm
M	2800 mm	2800 mm	3220 mm	3300 mm	3300 mm

B 212, B 312, B 15, B 17, B 18

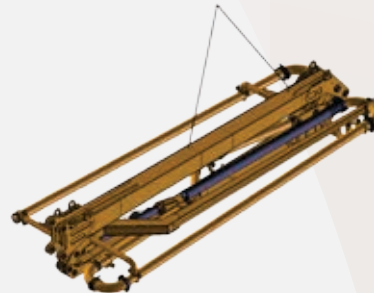
Weights



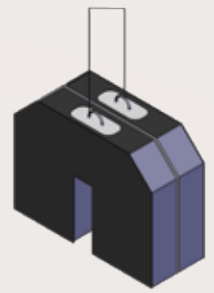
Chassis + Split Boom



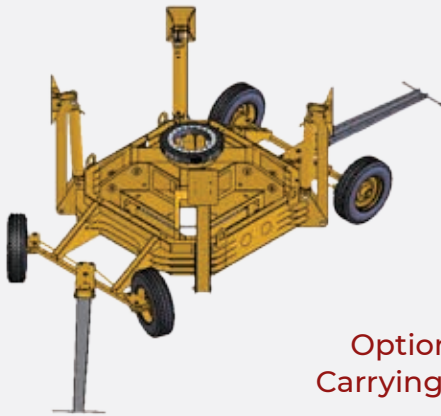
Chassis



Split Boom



Ballast



Optional
Carrying Cart



Optional
Elevation Tower

Models	Chassis + Split Boom	Chassis	Split Boom	Ballast
B 212	2210 kg	1310 kg	900 kg	1 X 1260 kg
B 312	2360 kg	1330 kg	1030 kg	1 X 750 kg
B 15	3030 kg	1800 kg	1230 kg	1 X 1000 kg
B 17	3520 kg	1980 kg	1540 kg	2 X 1300 kg
B 18	3600 kg	2060 kg	1540 kg	2 X 1300 kg

B 212, B 312, B 15, B 17, B 18

Technical Details

Models	B 212	B 312	B 15	B 17	B 18
Distribution Diameter	24 m	24 m	30 m	35 m	36 m
Distribution Area	452 m ²	460 m ²	730 m ²	962 m ²	1020 m ²
Chassis Weight	1310 kg	1330 kg	1800 kg	1980 kg	2060 kg
Split Boom Weight	900 kg	1030 kg	1230 kg	1540 kg	1540 kg
Machine Weight (Chassis + Split Boom)	2210 kg	2360 kg	3030 kg	3520 kg	3600 kg
Ballast Weight	1260 kg	1500 kg (2 X 750 kg)	2000 kg (2 X 1000 kg)	2600 kg (2 X 1300 kg)	2600 kg (2 X 1300 kg)
1. Boom Length	6475 mm	4665 mm	5640 mm	6432 mm	7360 mm
2. Boom Length	5525 mm	3718 mm	4700 mm	5503 mm	5503 mm
3. Boom Length	----	3178 mm	4700 mm	5237 mm	5237 mm
End Hose Length	3 m	3 m	3 m	3 m	3 m
Hydraulic Pump Motor	3 kW 3 Phase 380-400 V.	3 kW 3 Phase 380-400 V.	5.5 kW 3 Phase 380-400 V.	7.5 kW 3 Phase 380-400 V.	7.5 kW 3 Phase 380-400 V.
Hydraulic Tank Capacity	60 liter	60 liter	60 liter	80 liter	80 liter
Maximum System Pressure	200 bar	200 bar	200 bar	200 bar	200 bar
Folded Transport Length	9900 mm	8100 mm	9450 mm	10250 mm	11180 mm
Folded Transport Width	2000 mm	2050 mm	2000 mm	2050 mm	2050 mm
Folded Transport Height	2800 mm	2800 mm	3220 mm	3300 mm	3300 mm



Emergency Hand Pump



Remote Control

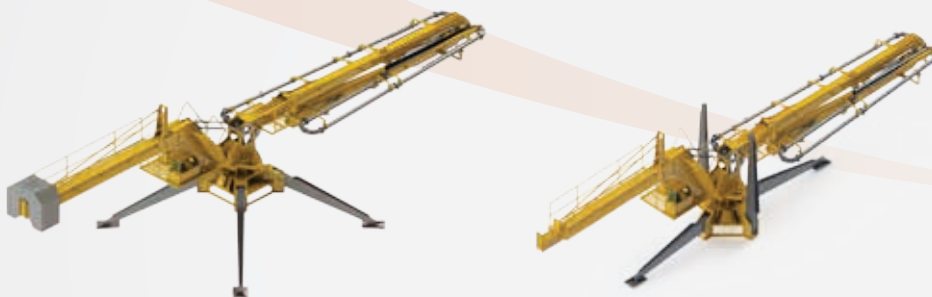
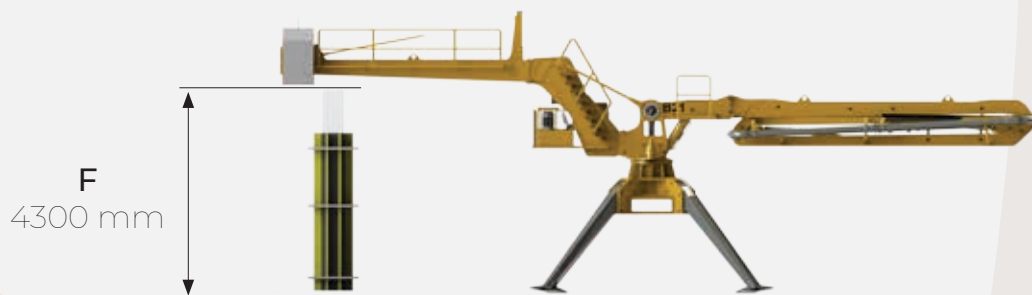
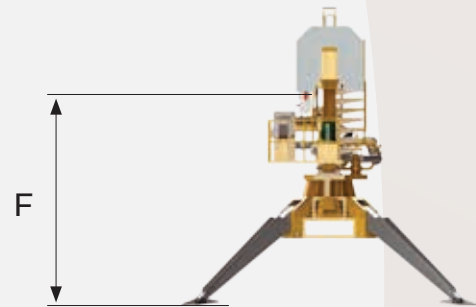
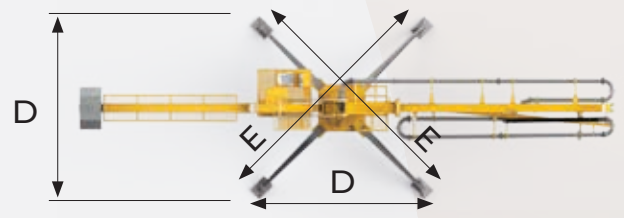
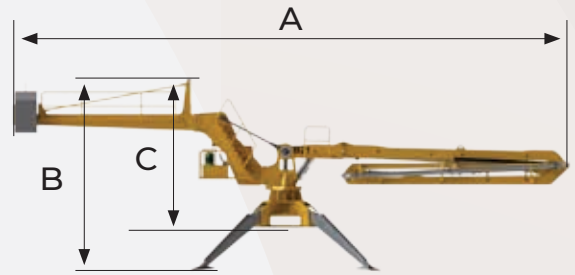


Elevation Tower

B 21

Technical Details

Model	B 21
Distribution Diameter	24 m
Distribution Area	452 m ²
Chassis Weight	1310 kg
Split Boom Weight	900 kg
Machine Weight (Chassis + Split Boom)	2210 kg
Ballast Weight	1260 kg
1. Boom Length	6475 mm
2. Boom Length	5525 mm
3. Boom Length	----
End Hose Length	3 m
Hydraulic Pump Motor	3 kW 3 Phase 380-400 V.
Hydraulic Tank Capacity	60 liter
Maximum System Pressure	200 bar
Folded Transport Length with Tail	9900 mm
Folded Transport Length Unassembled Tail	2000 mm
Folded Transport Width	2800 mm
Folded Transport Height	3650 mm

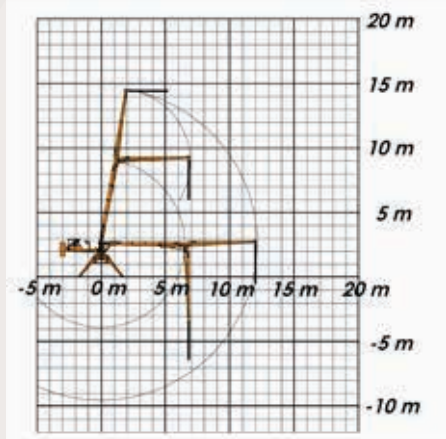


Models	B 21
A	15900 mm
B	5850 mm
C	4300 mm
D	5050 mm
E	6750 mm
F	4300 mm

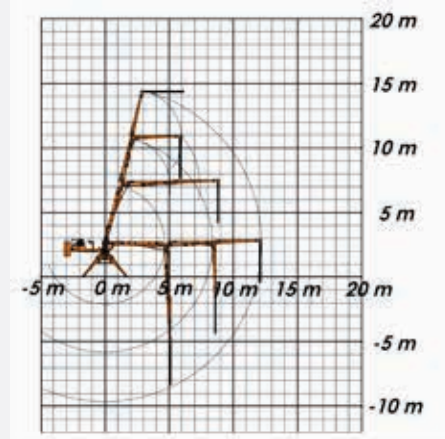
B 212, B 312, B 15, B 17, B 18, B 21

Concrete Scatter Diagrams

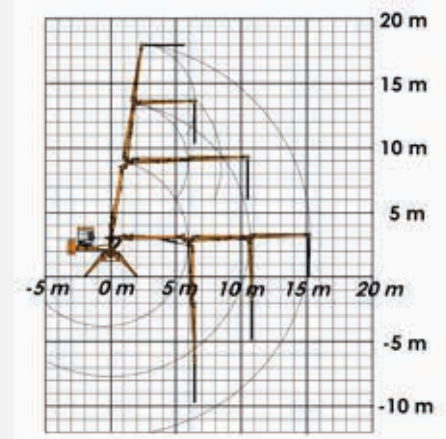
B 212



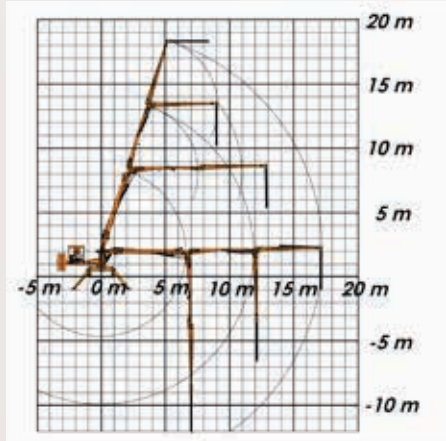
B 312



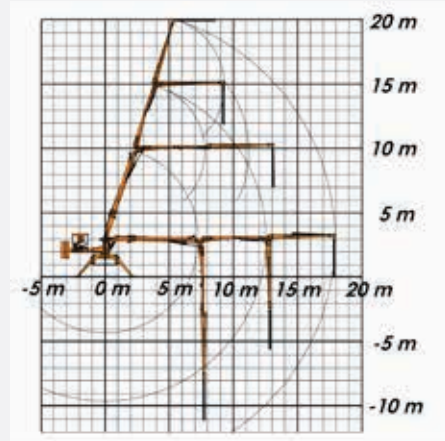
B 15



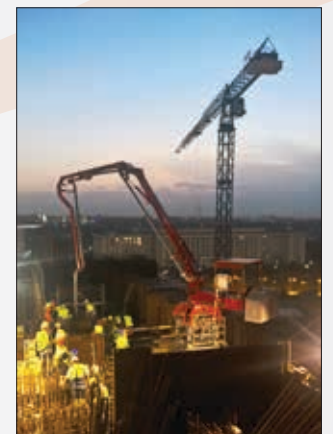
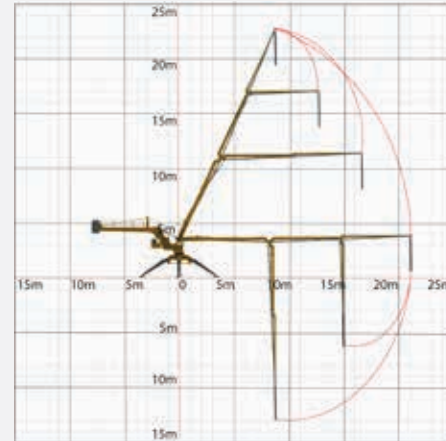
B 17



B 18



B 21





5

BIT







SELF-PROPELLED CONCRETE PLACING BOOMS

with
4X4 HYDROSTATIC DRIVE

BW

Series
BW 19
BW 21
BW 24



Converts Your “Stationary Pump” to “Mobile Pump”!

ThyssenKrupp

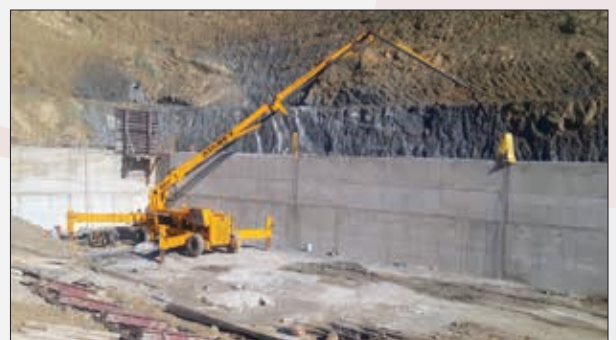


BW 21

- Easily Transported, Thanks to The Modular Structure with (Optional) Remote Control System
- Option of Diesel, Petrol or Electric Engines
- The Unique 4 – Wheel Driven Hydraulic Placing Boom in The World!
- Hydrostatic 4 – Wheel Drive!

BW 24

- There is a Wireless Remote Control
- Diesel Engine
- Without Ballast

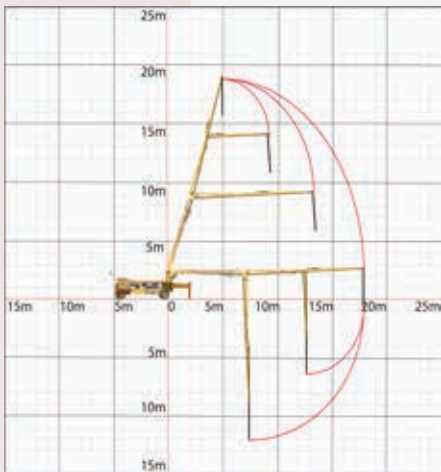


BW Series

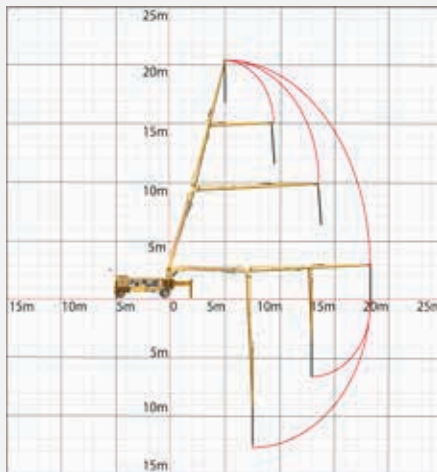
Features & Dimensions

BW			
PROPERTIES	BW 19	BW 21	BW 24
Diesel Engine Power	24-36 kW	24-45 kW	24-45 kW
Max. Reach of Height	19 m	21 m	24 m
Max. Horizontal Reach	17 m	19 m	21 m
360° Slew Motion	Std.	Std.	Std.
Radio Remote Control	Std.	Std.	Std.
Proportional Command	Std.	Std.	Std.
Emergency Hand Pump	Std.	Std.	Std.
4-Outriggers with Hydraulic Lift Jacks	Std.	Std.	Std.
Folded Transport Dimensions			
Overall Length	10670 mm	6900 mm	9800 mm
Overall Height	2600 mm	2600 mm	2600 mm
Overall Width	2300 mm	2250 mm	2250 mm
Operating Weight	8500 kg	9000 kg	12200 kg

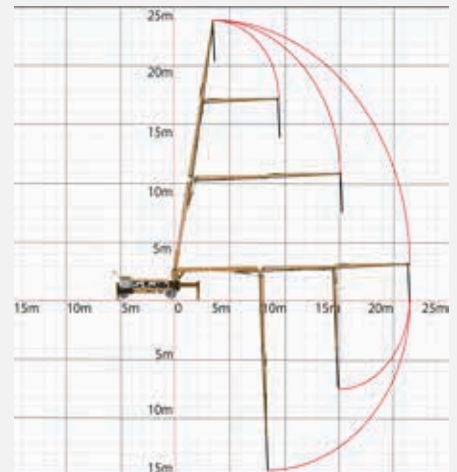
BW 19



BW 21



BW 24







CLIMBING CONCRETE PLACING BOOMS

M

Series

M 21

M 24

M 26

M 28

M 32



Optimum Design

ThyssenKrupp



Optimum design hydraulic placing booms are made of **High Strength Steel** which provides long life, light weight and practical use.

Distribution area / weight – feet clearance rates are unbeatable. Optimization in the design is to maximize the practicability.

Therefore the users describe the equipment as “site friendly equipment”.

TWIN DRIVE enables users to alter the power source.

In case of electric cut-off concrete placing can continue without interruptions and short term works can be finished practically.

Cost, time and performance gain is achieved at serious levels in construction sites.

BOOM CONSTRUCTION

Produced from special quality steel with high strength, flexibility and suitability for welding. It is light, strong and long durability...

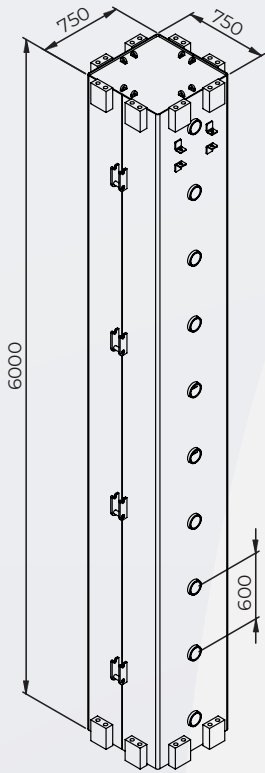
SPLIT FRAME (Detachable Boom Unit)

Simplified split system makes it possible to detach the boom unit easily.

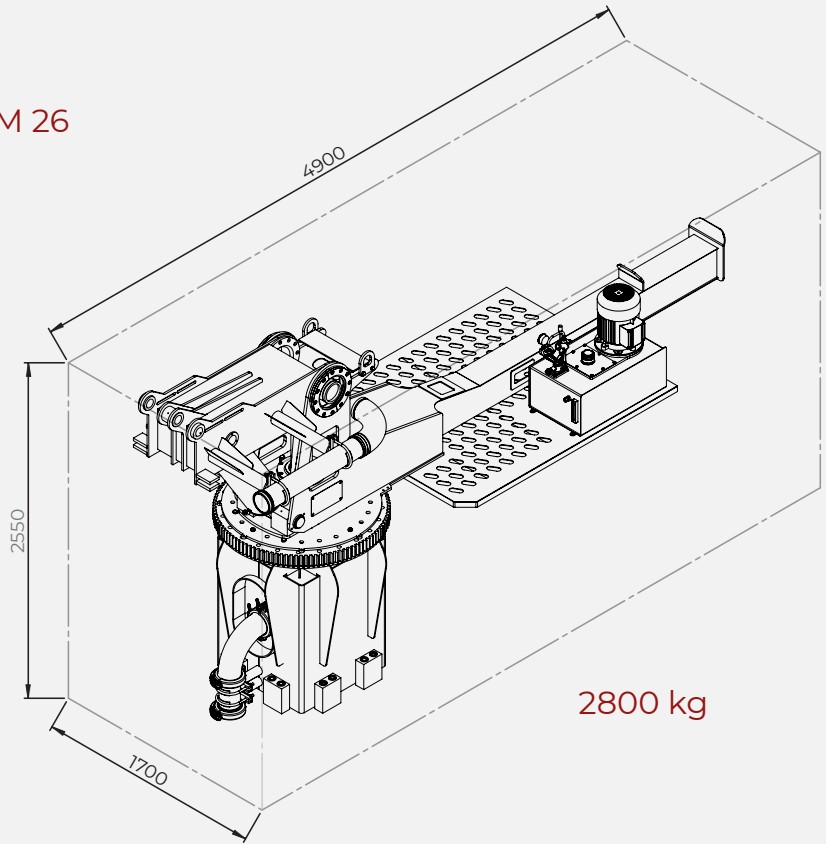
When the crane capacity is limited the detachable boom and chassis can be lifted and moved separately.

M 21, M 24, M 26

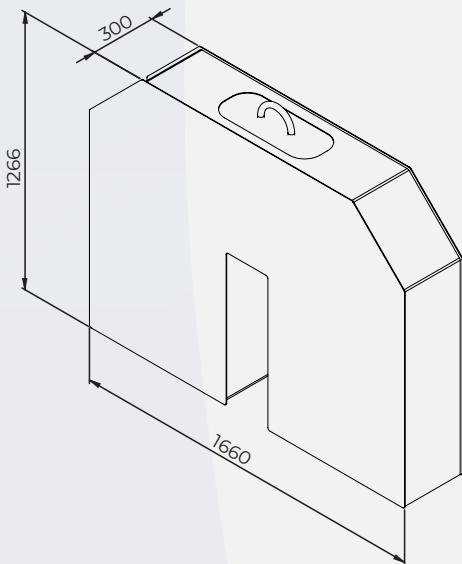
Technical Details



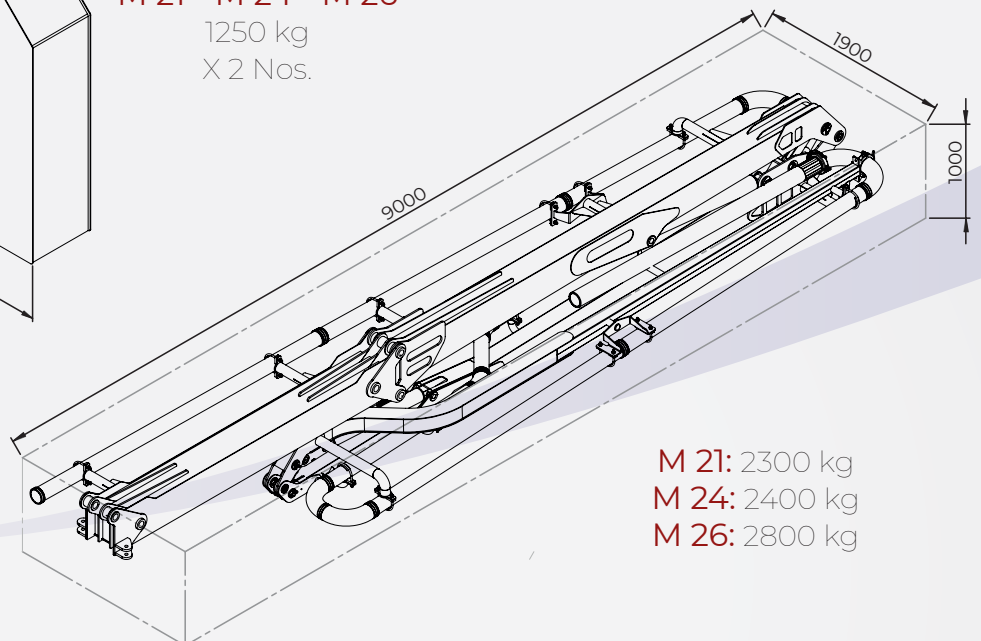
M 21 - M 24 - M 26
2200 kg
X 3 Nos.



2800 kg



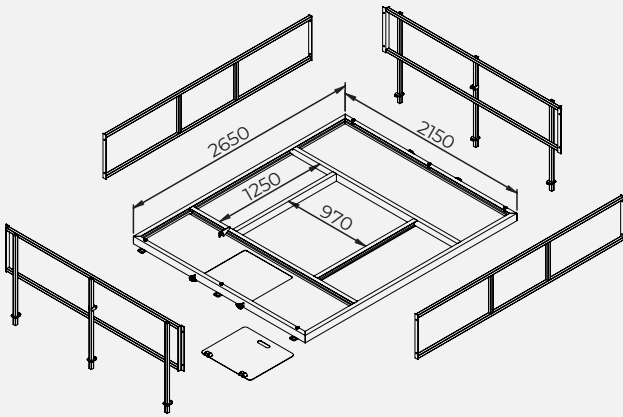
M 21 - M 24 - M 26
1250 kg
X 2 Nos.



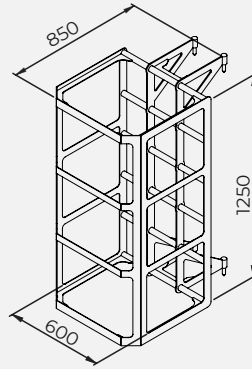
M 21: 2300 kg
M 24: 2400 kg
M 26: 2800 kg

M 21, M 24, M 26

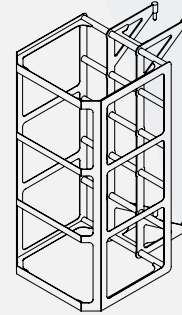
Technical Details



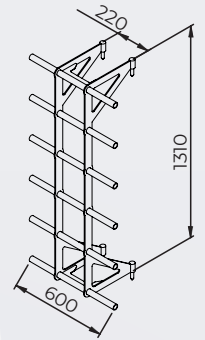
400 kg



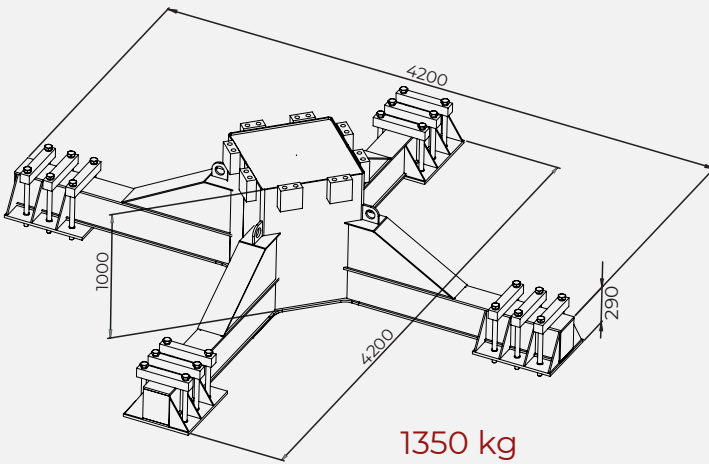
45 kg



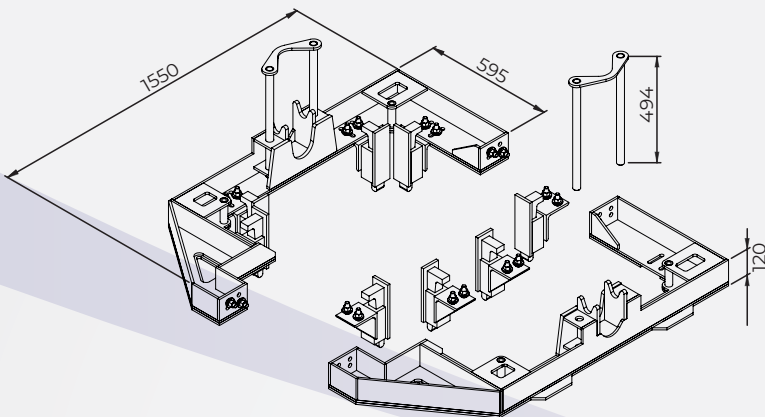
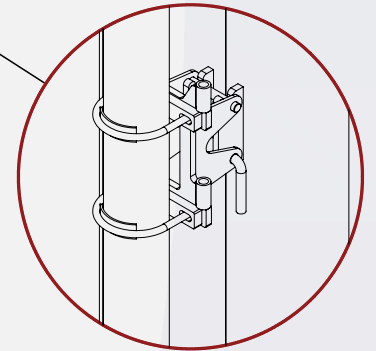
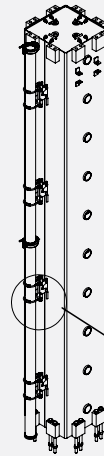
45 kg



25 kg

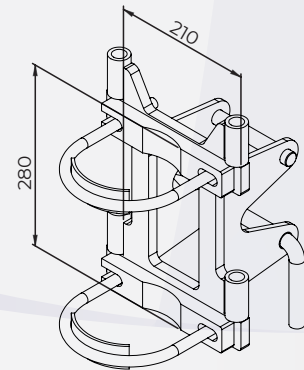


1350 kg



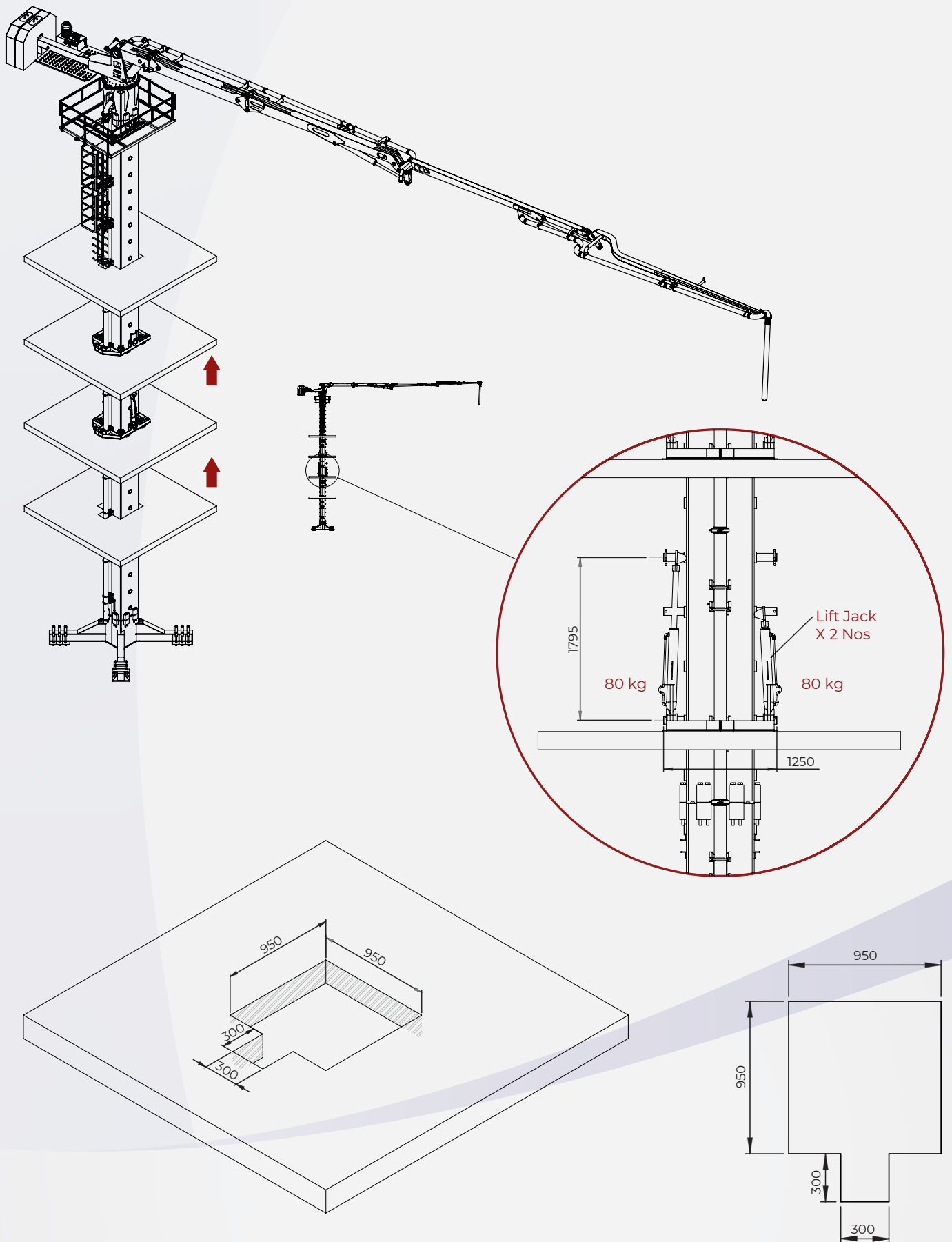
250 kg
X 3 Sets

13 kg
X 12 Nos



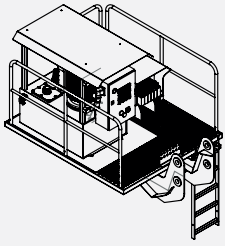
M 21, M 24, M 26

Technical Details

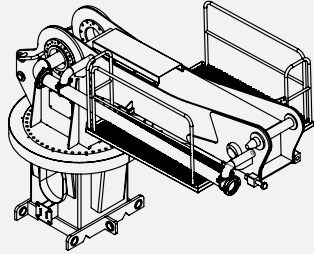


M 28, M 32

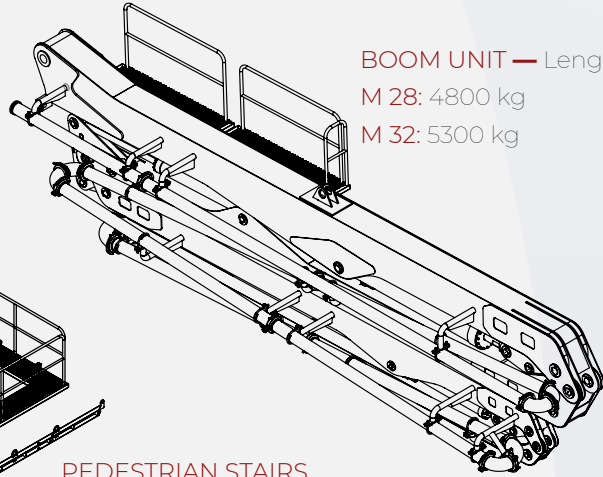
Technical Details



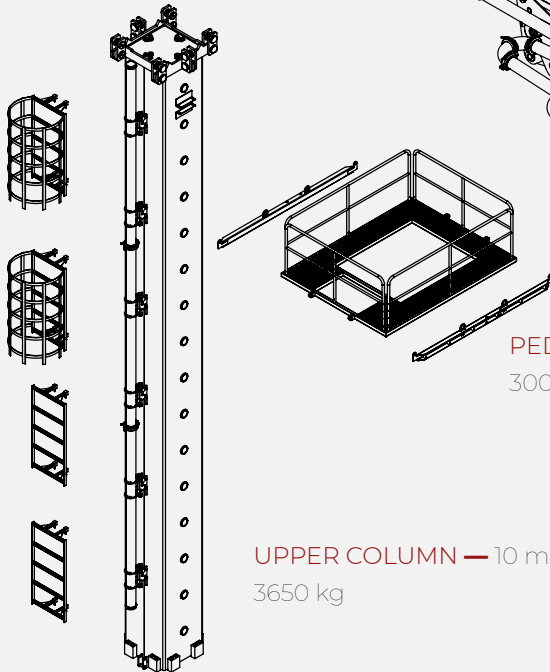
POWER-PACK UNIT — Length: 2.3 m
 M 28: 500 kg
 M 32: 600 kg



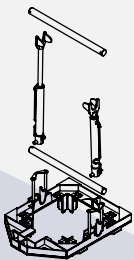
MAIN FRAME & SLEW GEAR UNIT — Length: 4.5 m
 M 28: 3900 kg
 M 32: 4400 kg



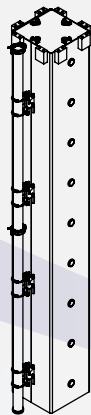
BOOM UNIT — Length: 8.2 m
 M 28: 4800 kg
 M 32: 5300 kg



PEDESTRIAN STAIRS
 300 kg

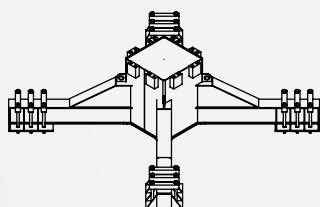


FRAME CONNECTION UNIT & ACCESSORIES
 450 kg



UPPER COLUMN — 10 m
 3650 kg

LOWER COLUMN — 6 m
 2150 kg



GROUND CONNECTION UNIT — 1.5 m
 1500 kg









CONCRETE PLACING WHEELED HYDRO-LIFTS

PS
Series
PS 05
PS 07



Periscope Series!

- With 360° Slew Motion
- Hydraulic Boom Activated With Lift Cylinders
- Hydraulic Cylinder Activated With Hydraulic Manual Pump
- 4 Trolley Wheels For Easier Transport
- Folding Outriggers With Mechanical Jacks for Maximum Conformity to Application Place.

ThyssenKrupp

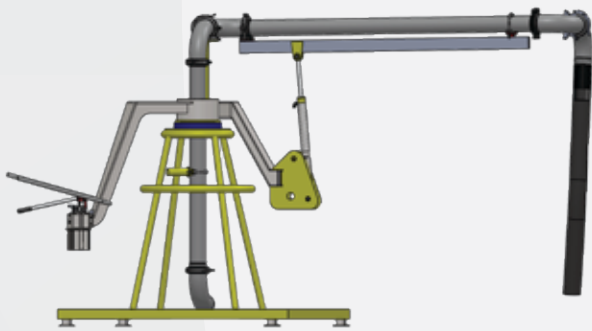


PS Series

General Features

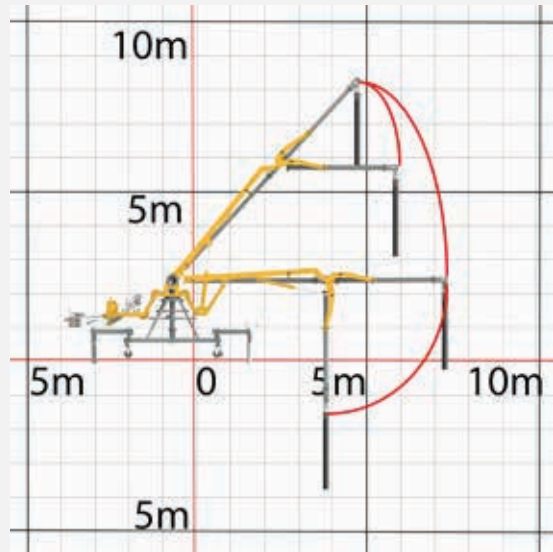
PS 05

With 360° Slew Motion
Delivery Height: Maximum 5 m
Horizontal Radius: 3 m
(+2 m End Hose)
Compact Size With Low
Operating Weight: 680 kg



PS 07

With 360° Slew Motion
Delivery Height: Maximum 7.6 m
Horizontal Radius: 7 m
(+2 m End Hose)
Compact Size With Low
Operating Weight: 1280 kg







CONCRETE DISTRIBUTORS

with
END HOSE HYDRO-LIFT

ZF
Series
ZF 8
ZF 11



Concrete Placer With Double Towbar!

ThyssenKrupp



- Light, Economical and Practical
- Hydraulically Reinforced and Versatile
- Mold Filling Is Done Perfectly with the Ability of Moving Parallel to the Formwork
- Makes Your Stationary Concrete Pump More Functional
- Boom is Easily Opened and Closed with the Hand Pump Connected to the Hydraulic System



ZF Series

General Features

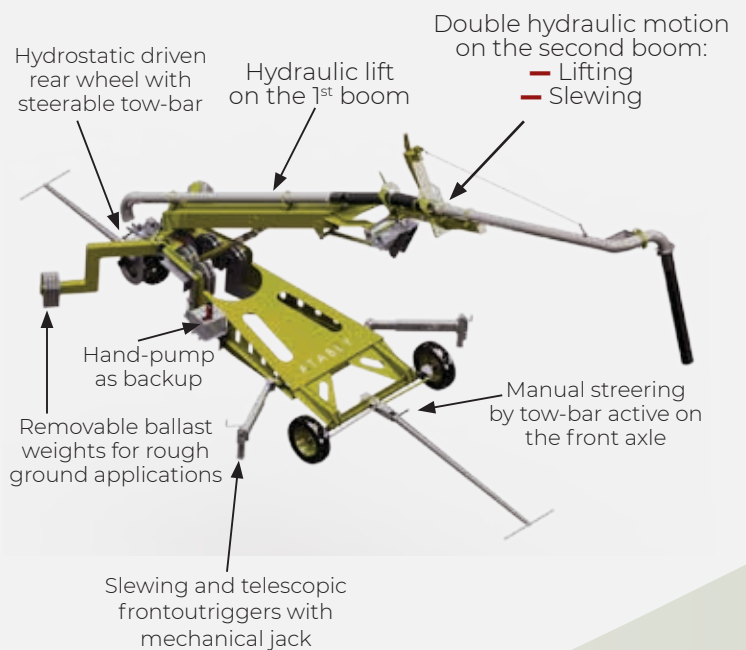
ZF 8

- Max Delivery Height: 6.50 m
- 4 Wheels With Pneumatic Wheels
- Steering: On Both Axles
(Front+Rear)
- Hydraulic Lift: Manual Lever
(Hand Pump)
- Main-Boom Lift: 0-40o
- Pipelines: 5,5" (125 mm ID)
- Weight: 480 kg
- Folded/Transport Height: 1.28 m
- Folded/Transport Width: 2.26 m
- Folded/Transport Length: 3.67 m
- Pipe Length: 6.00 m



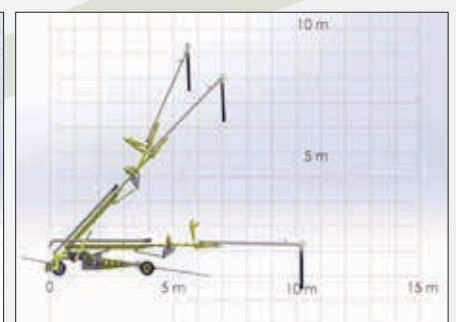
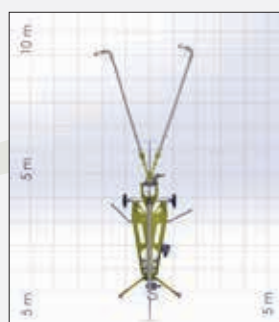
ZF 11

- Max Delivery Height: 9.40 m
- Hydrostatic Power Traction On The Rear Wheel
- Hydraulic System Driven by Petrol Engine
- 3 Wheels With Pneumatic Tires
- Steering: On Both Axles
(Front+Rear)
- Emergency Hand Pump
- Hydraulic Controls:
- Main-Boom Lift: 0-40o
- End-Boom Lift: 0-30o
- End-Boom Twist: ± 20o
- Pipelines: 5,5" (125 mm ID)
- Weight: 1.150 kg



Top View

Side View







ROTARY DISTRIBUTORS

BMP

Series
BMP 8
BMP 10
BMP 12
BMP 14

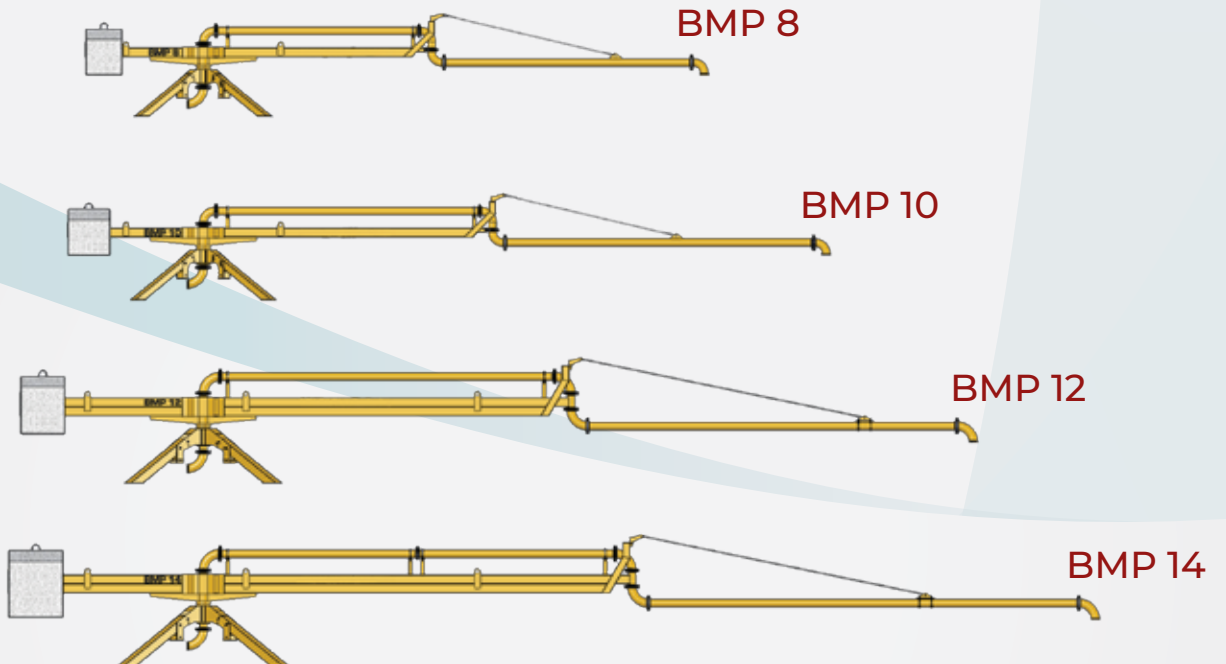


BMP Series; Rotary Distributor

ThyssenKrupp



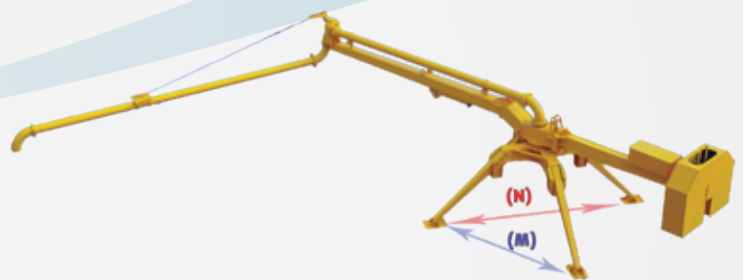
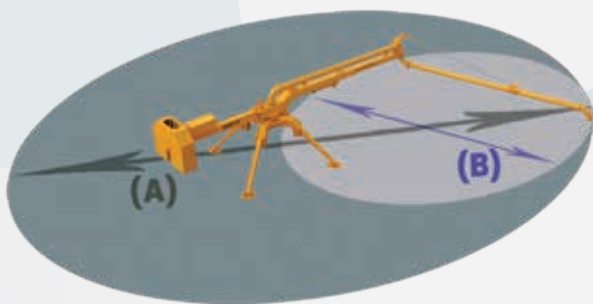
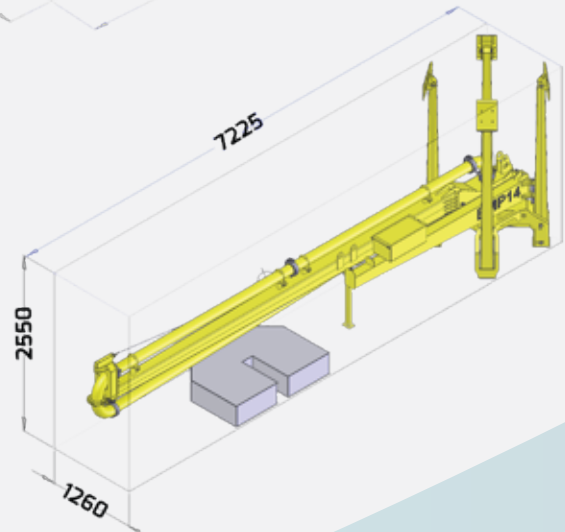
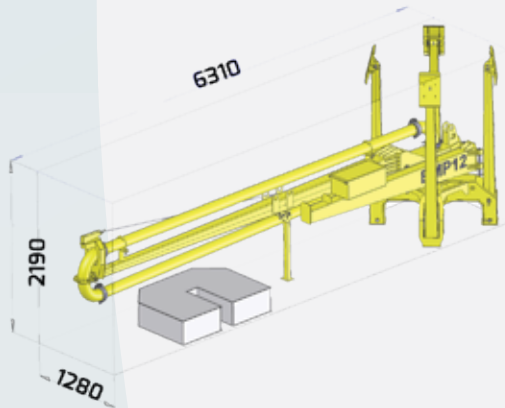
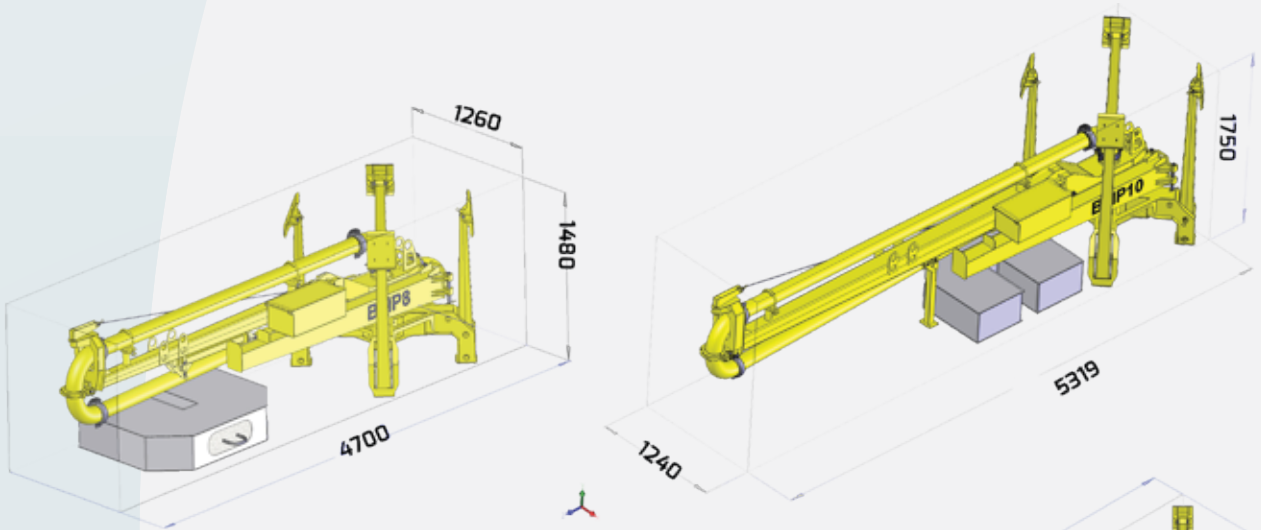
- Easily Transported, Thanks to The Modular Structure
- Economical
- Lightest and Also Strongest In Its Class Thanks To the Unique Structure Reduces The Cost



BMP Series

General Features

BMP								
MODELS	Distribution Deameter		Distribution Area	Length Dimensions		Weights		
	A	B		M	N	Chassis	Ballast	Total
BMP 8	16.0 m	8.9 m	201 m ²	2367 mm	2317 mm	706 kg	580 kg	1286 kg
BMP 10	20.0 m	10.9 m	314 m ²	2655 mm	3548 mm	808 kg	690 kg	1498 kg
BMP 12	24.0 m	12.9 m	452 m ²	3196 mm	4289 mm	973 kg	860 kg	1833 kg
BMP 14	28.0 m	14.9 m	616 m ²	3712 mm	5024 mm	1127 kg	1020 kg	2147 kg





*“Art Of
Concrete Placing...”*



www.atabeymakina.com

Address: Keresteciler San. Sit. 4. Cad. No: 39 Kahramankazan / Ankara - TURKEY

Phone: +9 0312 441 11 33 Fax: +9 0312 441 58 88