



CLIMBING CONCRETE PLACING BOOMS

M
Series
M 21
M 24
M 26
M 29
M 32



Optimum Design

Optimum design hydraulic placing booms are made of **High Strength Steel** which provides long life, light weight and practical use. Distribution area / weight - feet clearance rates are unbeatable. Optimization in the design is to maximize the practicability. Therefore the users describe the equipment as "site friendly equipment".

Twin Drive enables users to alter the power source. In case of electric cut-off concrete placing can continue without interruptions and short term works can be finished practically. Cost, time and performance gain is achieved at serious levels in construction sites.

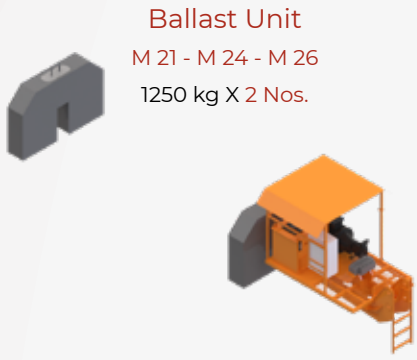
Boom Construction

Produced from special quality steel with high strength, flexibility and suitability for welding. It is light, strong and long durability...

Split Frame (Detachable Boom Unit)

Simplified split system makes it possible to detach the boom unit easily. When the crane capacity is limited the detachable boom and chassis can be lifted and moved separately.

M 21, M 24, M 26 / Technical Details



Ballast Unit
M 21 - M 24 - M 26
1250 kg X 2 Nos.



Power Pack Unit & Main Frame
M 21 - M 24 - M 26
2800 kg



Pedestrian Stairs
400 kg



Boom Unit
M 21: 2300 kg
M 24: 2400 kg
M 26: 2800 kg



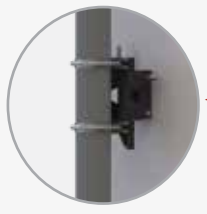
Column Unit
M 21 - M 24 - M 26
2200 kg X 3 Nos



45 kg



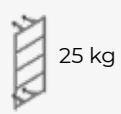
45 kg



13 kg X 12 Nos



Frame Connection Unit & Accessories
450 kg



25 kg



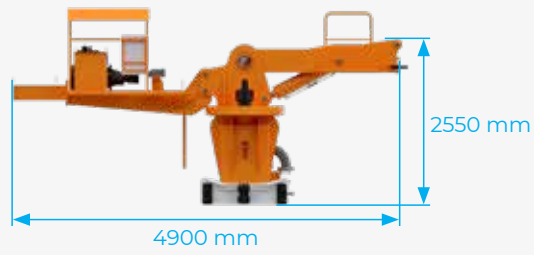
250 kg X 3 Sets



Ground Connection Unit
1.5 m - 1350 kg

M 21, M 24, M 26 / Technical Details

Power Pack Unit & Main Frame



Side View

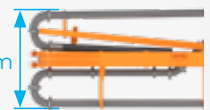


Front View

Boom Unit

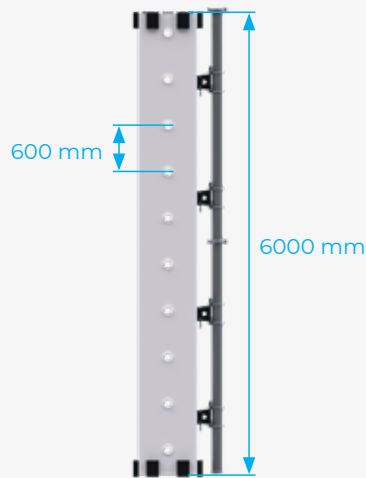


Side View

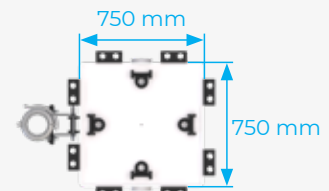


Top View

Column Unit

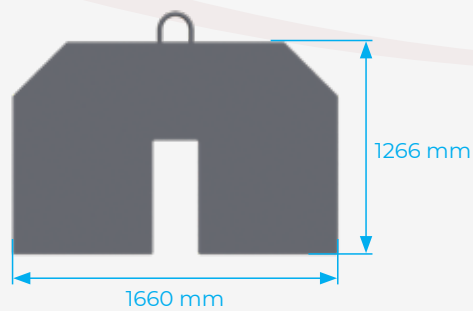
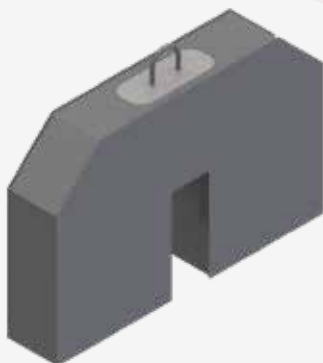


Side View



Top View

Ballast Unit



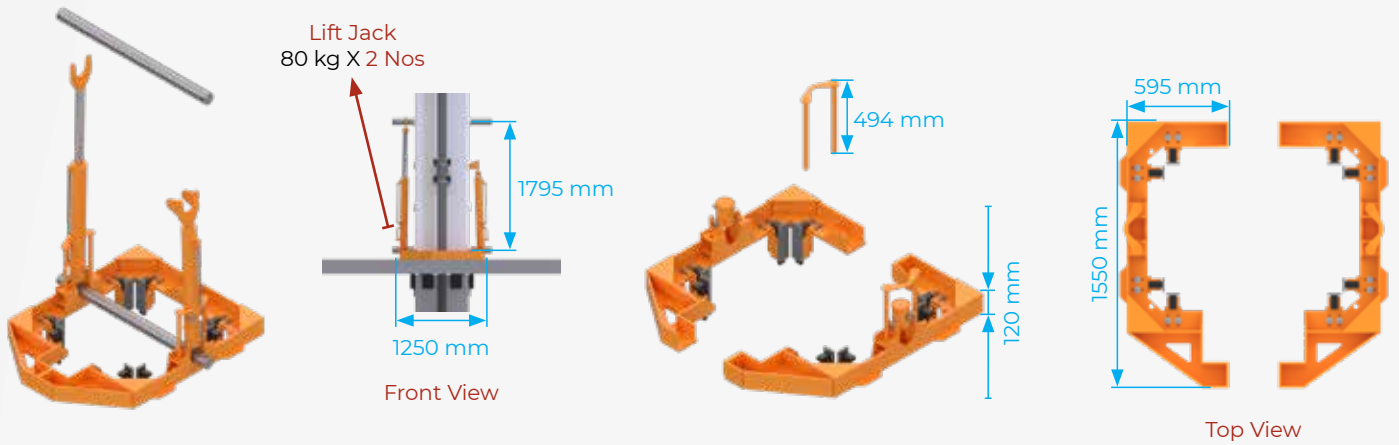
Front View



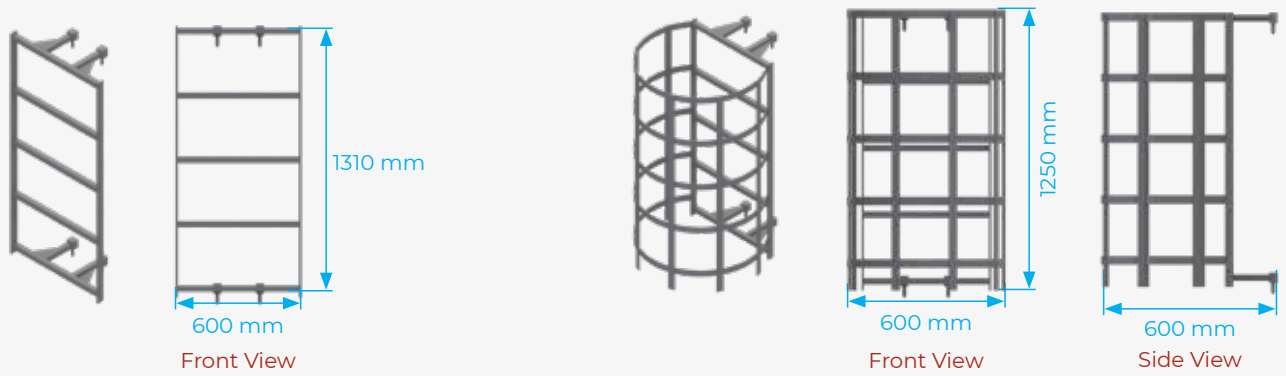
Top View

M 21, M 24, M 26 / Technical Details

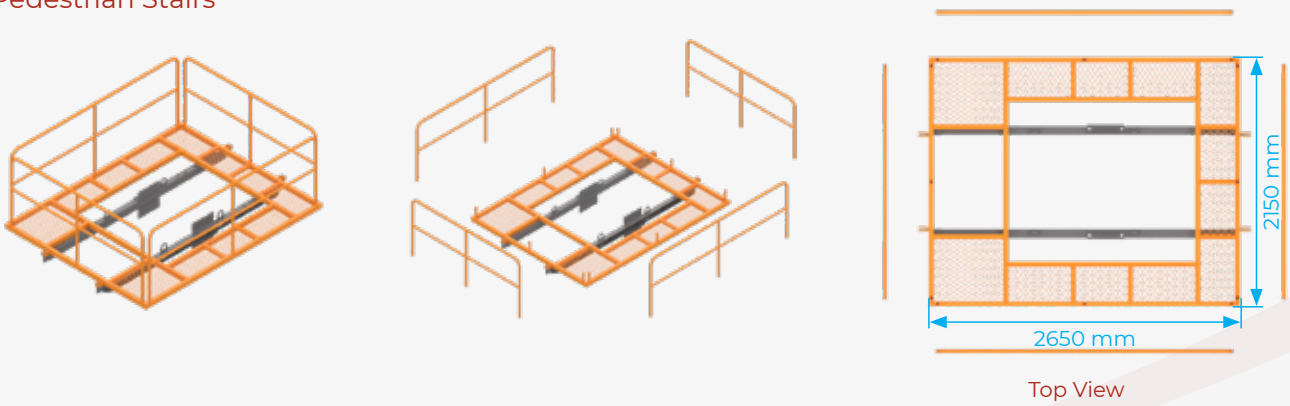
Frame Connection Unit & Accessories



Stairs



Pedestrian Stairs



Floor Frame Holes



M 29, M 32 / Technical Details



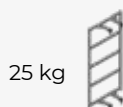
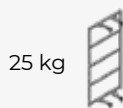
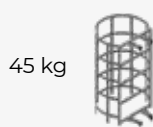
Power-Pack Unit
Length: 2.3 m
M 29: 500 kg - M 32: 600 kg



Main Frame & Slew Gear Unit
Length: 4.5 m
M 29: 3900 kg - M 32: 4400 kg



Boom Unit
Length: 8.2 m
M 29: 4800 kg - M 32: 5300 kg



Upper Column
10 m - 3650 kg



Pedestrian Stairs
300 kg



Lower Column
6 m - 2150 kg



Frame Connection Unit & Accessories

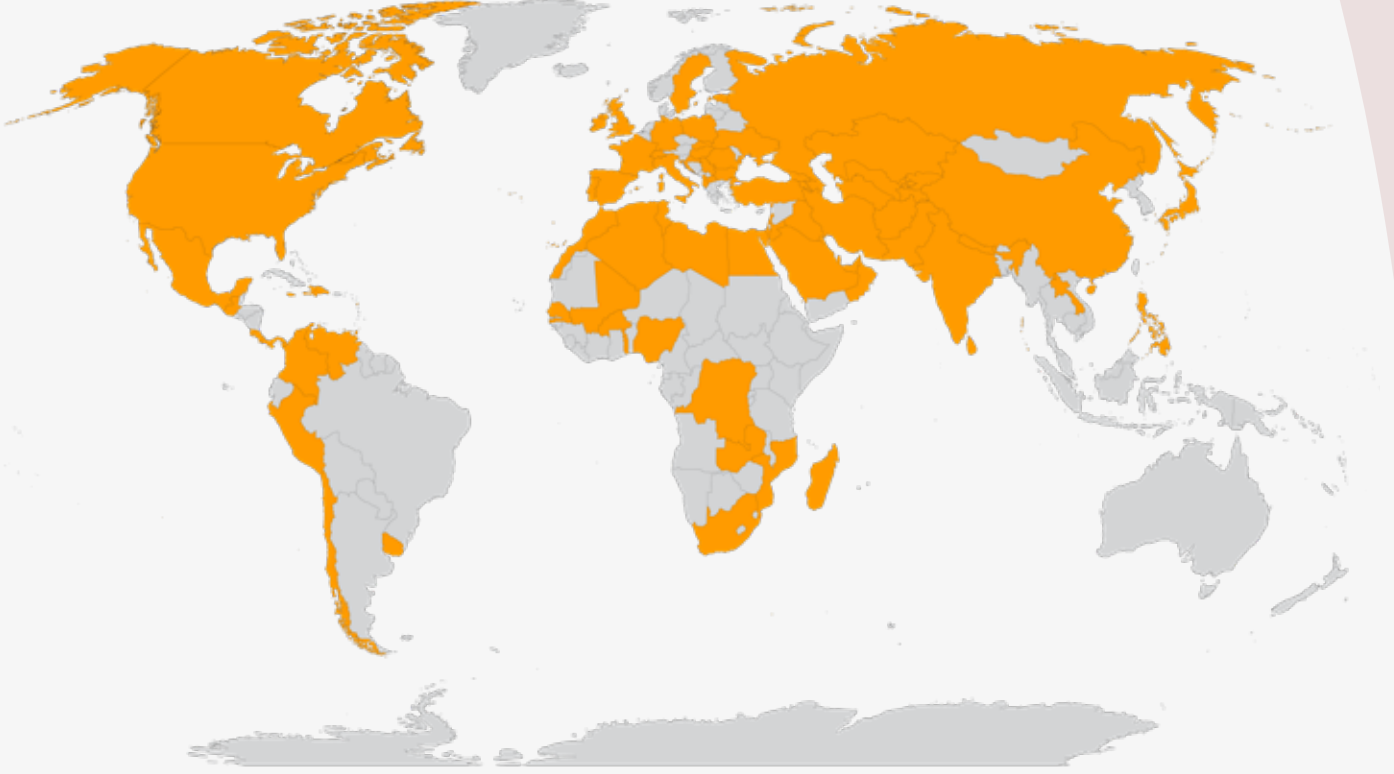


Ground Connection Unit
1.5 m - 1500 kg

M Series



Atabey; Common language of concrete
placer's in more than 80 countries



/AtabeyBetonMakinalari



/atabeyconstructionequipment



atabey construction equipment



ATABEY CONSTRUCTION EQUIPMENT

Address: Keresteciler San. Sit. 4. Cad. No: 39 Kahramankazan / Ankara - TURKEY
Phone: +90 312 441 11 33 Fax: +90 312 441 58 88
www.atabeymakina.com