

# Paving the way to progress and prosperity



● Fixed Form Concrete Paver

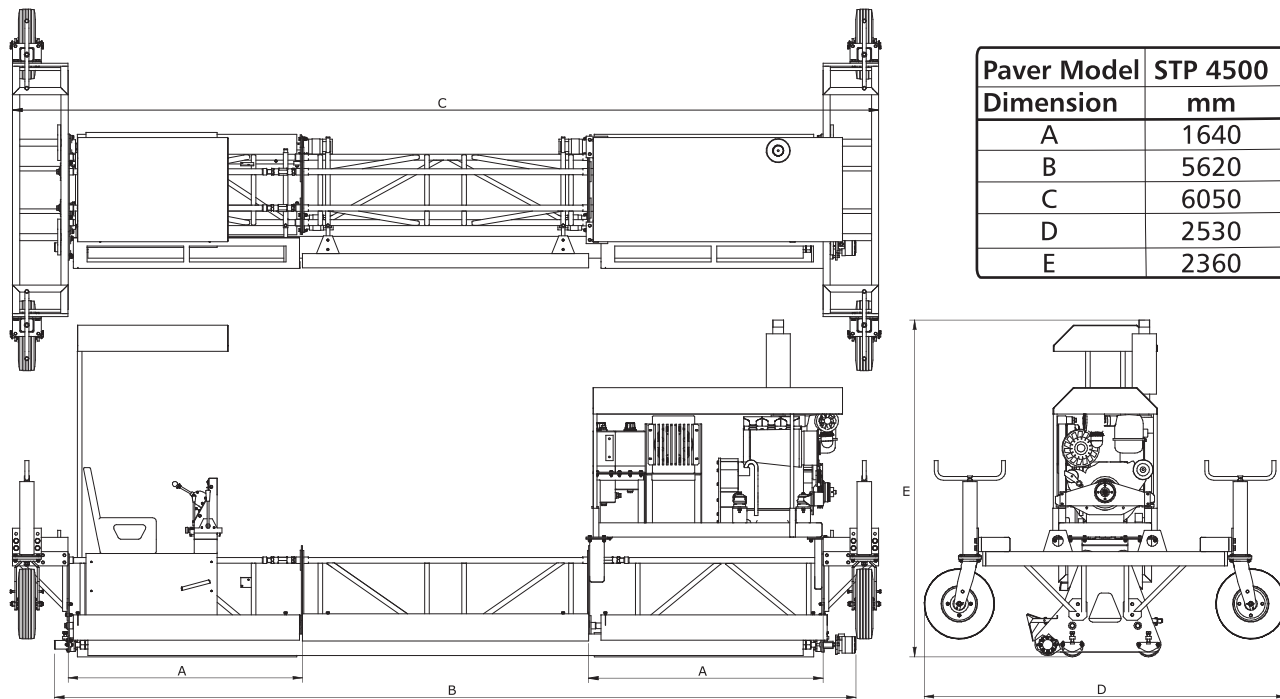
## Fixed Form Concrete Paver STP 4500

### Technical Details

<b>PRIME MOVER</b>	Engine 32 HP@1500 RPM
<b>DRIVE TUBE SPEED</b>	0-80 RPM
<b>STRIKE TUBE SPEED</b>	0-400 RPM
<b>HYDRAULIC TANK CAPACITY</b>	60 LTR
<b>FUEL TANK CAPACITY</b>	44 LTR
<b>SCREW JACK WITH TYRES</b>	4 NOS.
<b>SUPPLY VOLTAGE</b>	12 V DC

### Features

- Finishing width up to 4.5 meter. Machine can finish up to 200 Sq. mtr / hour
- Frames are made from hollow sections.
- Hydraulic drive system for dependable operations.
- Control unit includes all hydraulics and mechanical drives.
- Steering is effortlessly and precisely controlled with levers governing two sets of drive tubes.
- Four mechanical swivel type jacks with tires for height adjustment fitted at each end of structure. It also helps to position the paver on the forms as well travel in or out of panel area.
- Self mounted powerful halogen lamps recharged through battery.
- Multiple pass capability facilitates leveling of high spots and filling surface voids.
- Other Paving Length variants available on request.



Paver Model	STP 4500
Dimension	mm
A	1640
B	5620
C	6050
D	2530
E	2360



- With Apollo's policy of constant upgradation of products, specifications are subject to change without prior notice.
- Accessories shown here are optional and not the part of standard supply.



**Apollo Inffratech Private Limited**  
 Ahmedabad-Mehsana State Highway, Village: Rajpur 382715,  
 Taluka: Kadi, Dist: Mehsana, Gujarat, INDIA  
 Tel: +91 2764 233317, Cell: +91 90991 44644, 90990 14547  
 E-mail: sales@apolloinffratech.com  
[www.apolloinffratech.com](http://www.apolloinffratech.com)