

# CONCRETE PUMP

with

# STATIONARY CONCRETE PUMPS

## CP Series

- CP 25
- CP 40
- CP 50
- CP 60
- CP 80
- CP 100
- CP 25 Hp
- CP 40 Hp
- CP 50 Hp
- CP 60 Hp



## Stationary Concrete Pumps

ThyssenKrupp



All Atabey Concrete Pumps are designed by our own engineers. The diesel engines (Kubota-Perkins-Cummins) and the hydraulic pump (Japanese Kawasaki) with variable flow that we use for our concrete pumps are leading brands in the international market. The hydraulic pump with variable flow provides higher pressure when the concrete pipe line is blocked and returns back to normal pressure when the blockage is opened. With the Central Greasing System, the equipment can be greased up regularly by the operator. And also with option of Automatic Greasing System, the equipment is greased constantly by the automatic system and this solves the problem of equipment not getting greased up regularly.

This dramatically reduces the time and money loss, caused by operator error. The wear parts used on our equipment are all simple and easily obtainable in the international markets.

Nowadays, multi-function processors are available and they are beginning to be used in construction machinery. But Atabey Construction Equipment does not change the simple ways of using the equipment and stays as "User Friendly Equipment"



# CP Series

## General Features



### No Secrets!



Electro hydraulic control elements are designed and installed for easy access and replacement when necessary to change the parts. Also all the electrical parts are easily accessible by opening the control panel lids. Users continue their work quickly on simple faults by changing the necessary part easier rather than changing the integrated unit.



Economical Solution For;

- > Hire-rise Buildings
- > Long Distance Constructions
- > Tunnel Constructions
- > Routes





YOMA MACHINERY S.A.  
P.O. BOX 1000, SANTIAGO, CHILE

MASSEY FERGUSON  
3635

CP60Y



# Cp Series

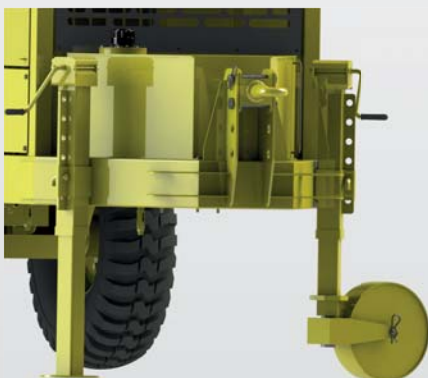
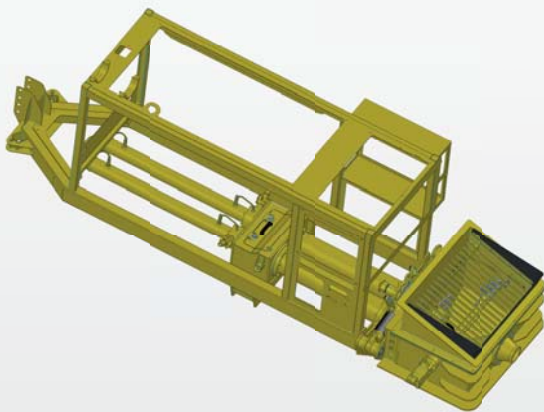
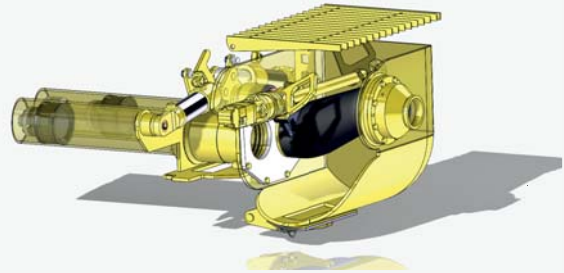
## Technical Details

### CP (EN)

#### Models

		CP 25	CP 25 HP	CP 40	CP 40 HP	CP 50	CP 50 HP	CP 60	CP 60 HP	CP 80	CP 100
Engine Power Range	(kw)	50-70	70-92	70-92	92-105	92-105	97-120	97-120	210	200	230
	(hp)	67-93	93-120	93-120	120-140	120-140	130-160	160-230	280	267	305
Concrete Output Rod Side (m <sup>3</sup> /h)	rated	25,5	25,9	41,2	42,7	51,5	50,3	60,6	58,7	79,8	100,3
	at max. pressure	18-21	15-17	31-33	22-28	32-36	31,0	44,0	39,3	63,8	80,2
Concrete Output Piston Side (m <sup>3</sup> /h)	rated	17,9	18,3	28,9	30,2	36,2	35,5	41,5	41,2	56,4	65,5
	at max. pressure	12-14	11-14	22-23	18-20	26-29	23	31	22	44	49
Concrete Cyl. Diameter	(mm)	180	180	180	180	180	200	200	200	200	200
Concrete Output Rod Side (bar)	rated	74	94	74	94	73	94	71	80	71	70
	max	93	128	93	128	91	128	89	109	89	88
Concrete Output Piston Side (bar)	rated	112	124	112	124	112	124	108	109	108	118
	max	140	169	140	169	140	169	135	148	135	148
Available Engine Brands	Cummins	Cummins	Cummins	Cummins	Cummins	Cummins	Cummins	Cummins	Cummins	Cummins	Cummins
	Perkins	Perkins	Perkins	Perkins	Perkins	Perkins					
	Yavuz	Yavuz	Yavuz	Yavuz	Yavuz						
	Kubota	Kubota	Kubota								

S-valve system : Integrated with robust frame and twin boxer cylinders.



Twin mechanical jacks to provide both; steerable towing and standing safely

Bottom discharge plate with hydraulically actuated cylinder for easier cleaning and maintenance

# Cp Series

## Technical Details



Simple, straightforward control panel



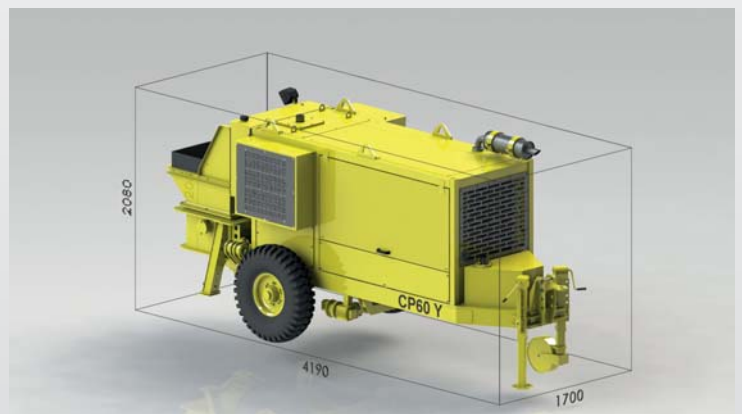
- > Managed Components!
- > Provides Easy Maintenance And Cleaning
- > Easy To Use!



- > Operator Friendly Control Panel
- > Easy and Functional Control
- > Remote Control Option Available



- > Powerful Concrete Flow
- > Stable Hydraulic Oil Pressure
- > Variable Flow Hydraulic Pump With Power Regulator And Torque Limiter







ATABEY  
CP 80C

ATABEY

www.atabeymakina.com



*“Art Of  
Concrete Placing...”*

[www.atabeymakina.com](http://www.atabeymakina.com)

**Address:** Keresteciler San. Sit. 4. Cad. No: 39 Kahramankazan/Ankara - TURKEY

**Tel:** +90 (312) 441 11 33 **Fax:** +90 (312) 441 58 88

