

# CONCRETE DISTRIBUTORS

with

# ROTARY DISTRIBUTORS

# BMP

## Series

BMP 8

BMP 10

BMP 12

BMP 14

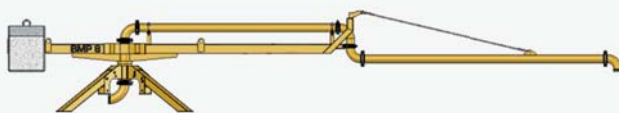


## BMP Series; Rotary Distributors

ThyssenKrupp



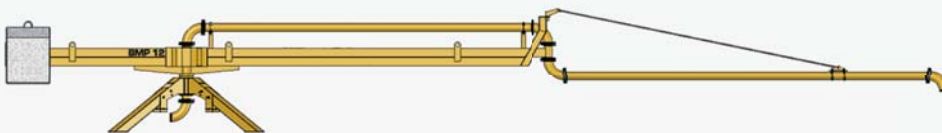
- > Easily Transported, Thanks to The Modular Structure
- > Economical
- > Lightest and Also Strongest In Its Class Thanks To the Unique Structure Reduces The Cost



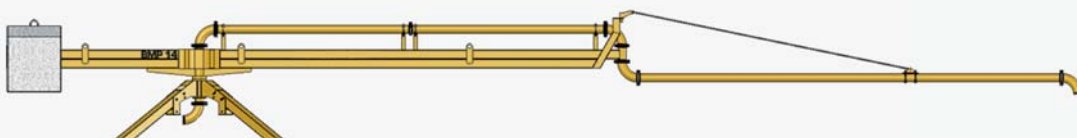
**BMP 8**



**BMP 10**



**BMP 12**



**BMP 14**

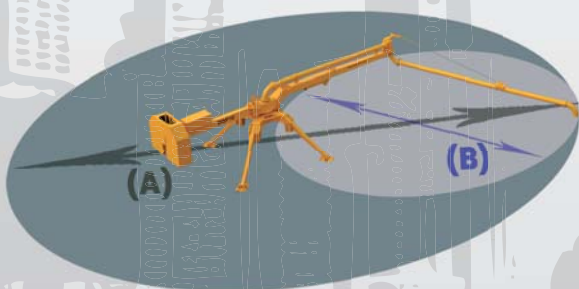
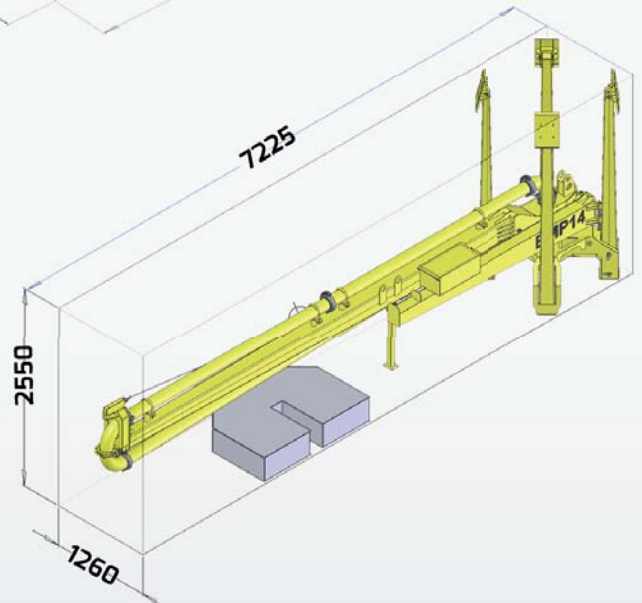
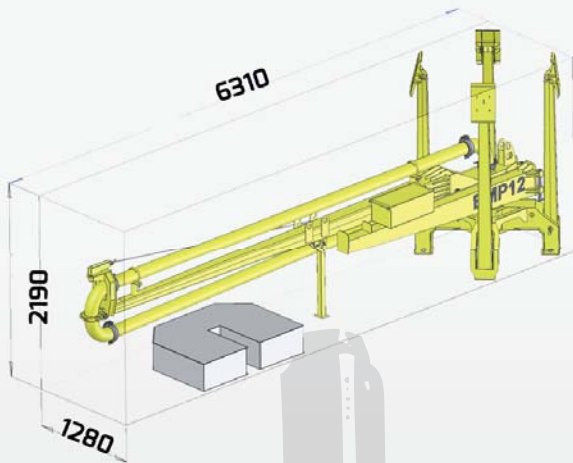
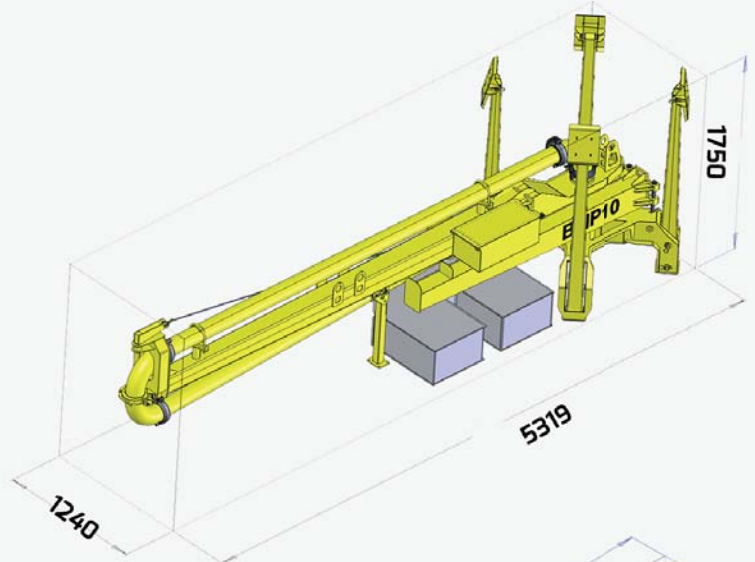
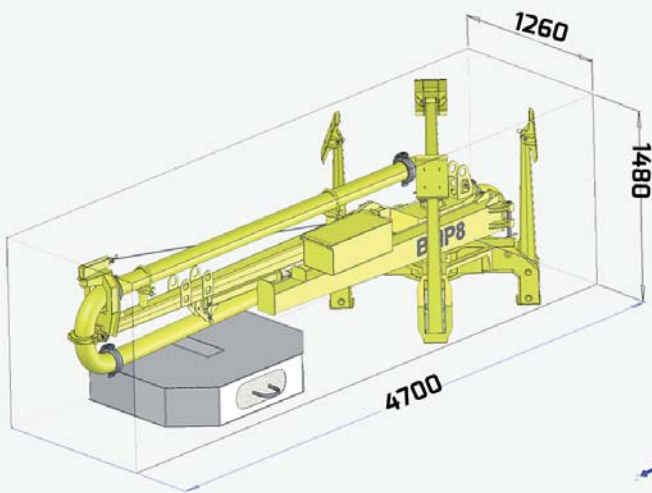
# BMP Series

## General Features



BMP (EN)

Models	Distribution Diameter		Distribution Area	Length Dimensions		Weights		
	A	B		M	N	Chassis	Ballast	Total
BMP 8	16.0 m	8.9 m	201 m <sup>2</sup>	2367 mm	2317 mm	706 kg	580 kg	1.286 kg
BMP 10	20.0 m	10.9 m	314 m <sup>2</sup>	2655 mm	3548 mm	808 kg	690 kg	1.498 kg
BMP 12	24.0 m	12.9 m	452 m <sup>2</sup>	3196 mm	4289 mm	973 kg	860 kg	1.833 kg
BMP 14	28.0 m	14.9 m	616 m <sup>2</sup>	3712 mm	5024 mm	1.127 kg	1.020 kg	2.147 kg



*“Art Of  
Concrete Placing...”*

[www.atabeymakina.com](http://www.atabeymakina.com)

**Address:** Keresteciler San. Sit. 4. Cad. No: 39 Kahramankazan/Ankara - TURKEY

**Tel:** +90 (312) 441 11 33 **Fax:** +90 (312) 441 58 88

